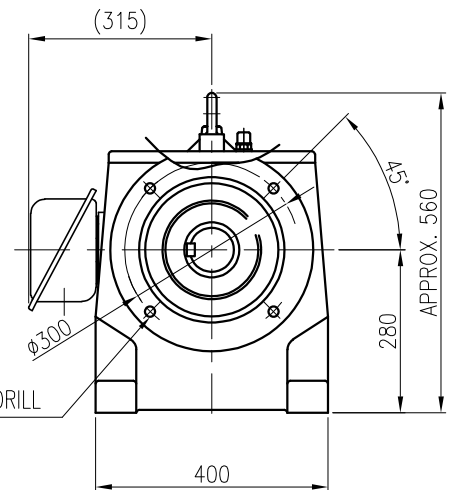
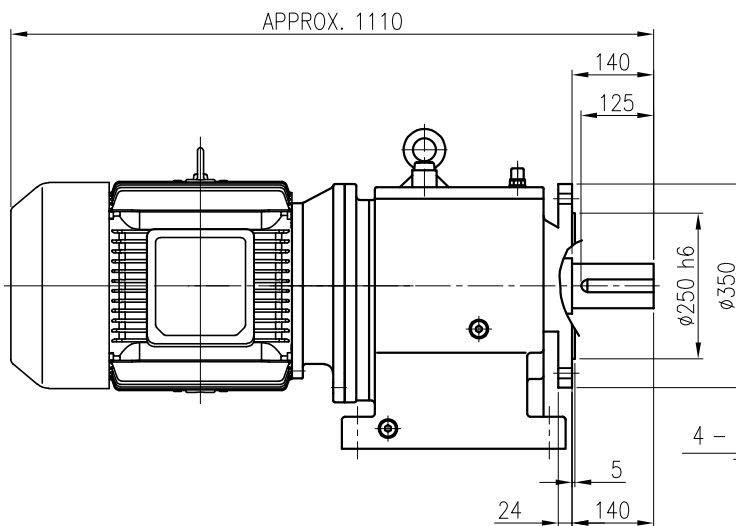


OUTPUT SHAFT
(22x14x114)



		BEARING				
		INPUT SHAFT	6310ZZ	6312ZZ		
OIL SEAL		2ND PINION	6307	NJ307E	OIL : ISO VG 220	
MOTOR SHAFT	D(M) 60 x 82 x 12	3RD PINION	NJ309E	NJ309E	ABOUT 14 l	
OUTPUT SHAFT	D(M) 95 x 140 x 13	OUTPUT SHAFT	22211	22216	WEIGHT	380 kg

		외형도 OUTLINE DIMENSION					
		DWG No. EK2D007257H0001				UNIT	mm
						SCALE	1:1
No.	DATE	DESCRIPTION of REVISION				DESIGNED	2018-08-15
A4(210X297mm) FORM CE-14-0100-4A4 2013.11.20			2018.10.01	2018.10.01	2018.10.01	2018.10.01	REVISION No. 01
			최성민	문병선	박희성	홍원철	THIRD ANGLE PROJECTION
TYPE		HFM28_180M(18.5kW/22kW)_30:1_Ntype				REF. No.	(GKDS475G05)