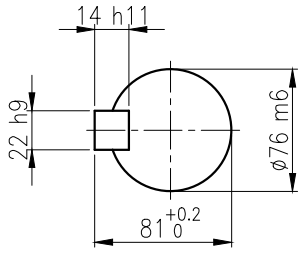
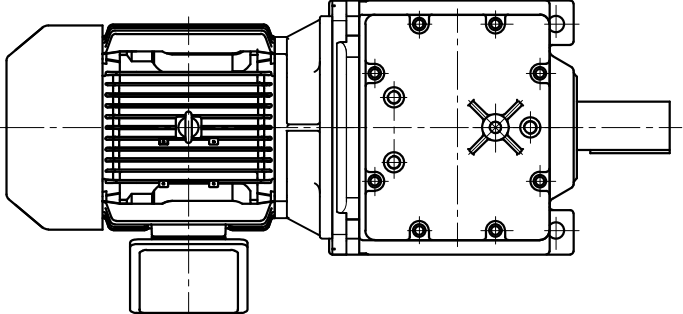
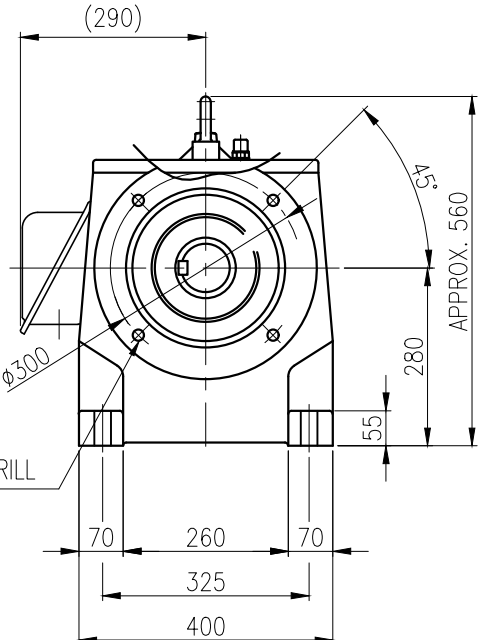
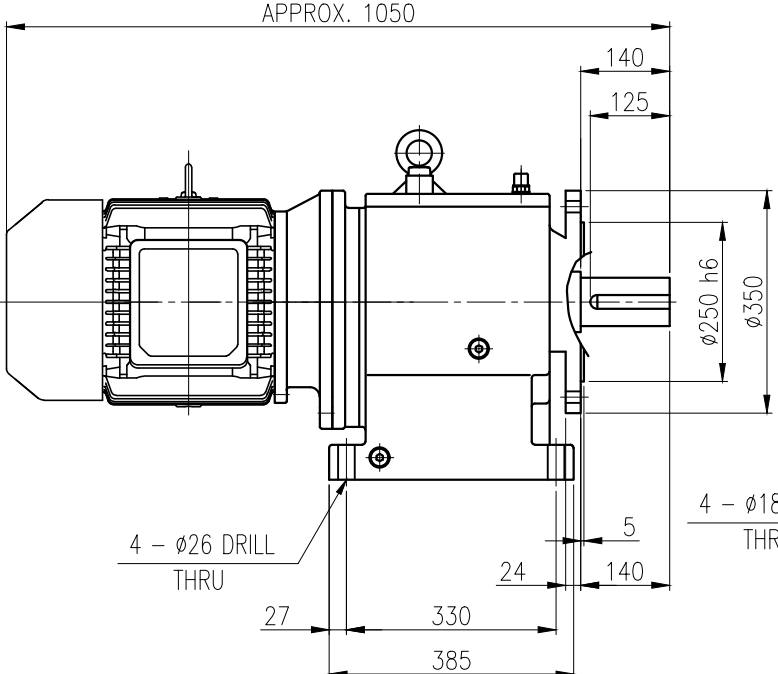


1	2	3	4	5				
No.	NAME	MATERIAL	DWG/MATL No.	CODE	Q'TY	SIZE	WEIGHT	REMARK
					0			



OUTPUT SHAFT
(22x14x114)



			BEARING		
			INPUT SHAFT	6309ZZ 6310ZZ	
		OIL SEAL	2ND PINION	6307 NJ307E	OIL : ISO VG 220
	MOTOR SHAFT	D(M) 50 x 72 x 12	3RD PINION	NJ309E NJ309E	ABOUT 14 l
	OUTPUT SHAFT	D(M) 95 x 140 x 13	OUTPUT SHAFT	22211 22216	WEIGHT 365 kg

		DWG NAME		외형도 OUTLINE DIMENSION			
		DWG No.		EK2DO07256H0001		UNIT	mm
						SCALE	1:1
No.	DATE	DESCRIPTION of REVISION		DESIGNED	CHECKED	REVIEWED	APPROVED
A4(210X297mm)	FORM CE-14-0100-444 2013.11.20	HYOSUNG HEAVY INDUSTRIES		2018.10.01 최성민	2018.10.01 문병선	2018.10.01 박희성	2018.10.01 홍원철
TYPE		HFM28_160L(15kW)_40:1_Ntype		DATE	2018-08-15		REVISION No.
						01	
						THIRD ANGLE PROJECTION	
				REF. No.	(GKDS475G04)		(A)

The information written in this drawing is HYOSUNG HEAVY INDUSTRIES's property, and may not be disclosed and/or reproduced without the prior official permission of HYOSUNG HEAVY INDUSTRIES Corp.

이 도면상에 표시된 정보는 최종공용(수)의 소유이며 당사의 사전 서면동의 없이 무단사용을 금합니다.