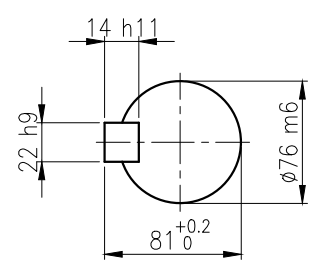
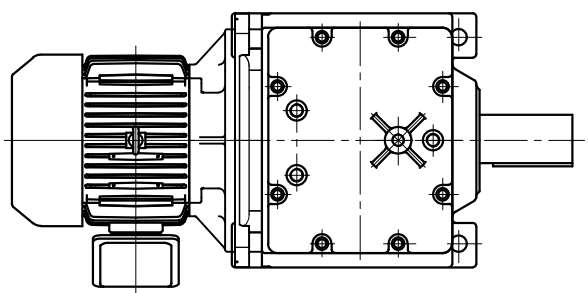
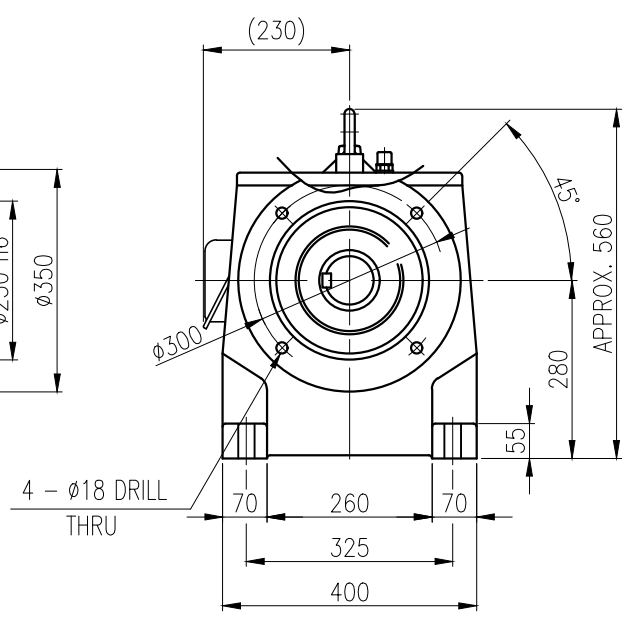
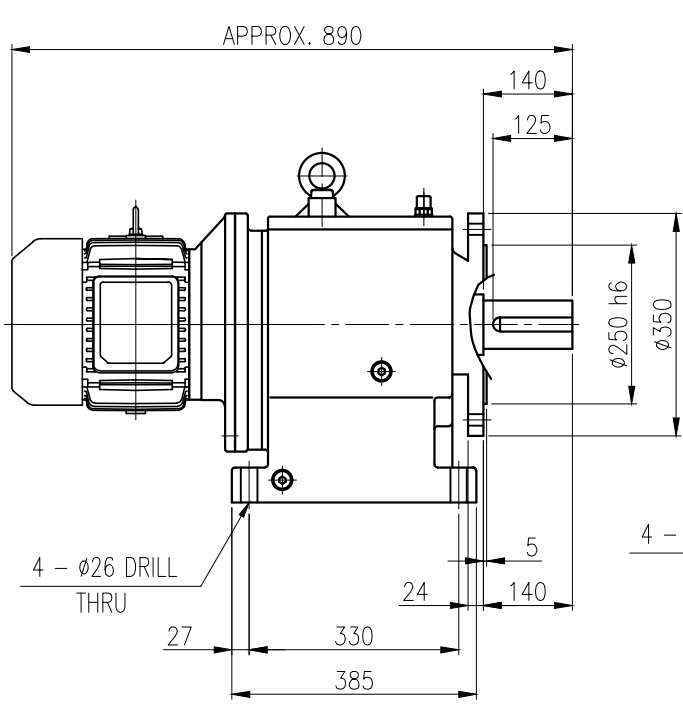


1	2	3	4	5				
No.	NAME	MATERIAL	DWG/MATL No.	CODE	Q'TY	SIZE	WEIGHT	REMARK
					0			



**OUTPUT SHAFT**  
(22x14x114)



			BEARING		
			INPUT SHAFT	6207ZZ 6308ZZ	
OIL SEAL			2ND PINION	6307 NJ307E	OIL : ISO VG 220
MOTOR SHAFT	D(M) 40 x 62 x 11		3RD PINION	NJ309E NJ309E	ABOUT 14 l
OUTPUT SHAFT	D(M) 95 x 140 x 13		OUTPUT SHAFT	22211 22216	WEIGHT 300 kg

		DWG NAME		외형도 OUTLINE DIMENSION			
		DWG No.		<b>EK2DO07253H0001</b>		UNIT	mm
						SCALE	1:1
No.	DATE	DESCRIPTION of REVISION		DESIGNED	CHECKED	REVIEWED	APPROVED
A4(210X297mm)	FORM CE-14-0100-444 2013.11.20	<b>HYOSUNG HEAVY INDUSTRIES</b>		2018.10.01 최성민	2018.10.01 문병선	2018.10.01 박희성	2018.10.01 홍원철
TYPE		HFM28_132S(5.5kW)_80~120:1_Ntype		DATE	2018-08-15		REVISION No. 01
				REF. No.	(GKDS475G01)		THIRD ANGLE PROJECTION
						A	

The information written in this drawing is HYOSUNG HEAVY INDUSTRIES's property, and may not be disclosed and/or reproduced without the prior official permission of HYOSUNG HEAVY INDUSTRIES Corp.

이 도면상에 표시된 정보는 호성중공업(주)의 소유이며 당사와의 사전 서면동의 없이 무단사용을 금합니다.