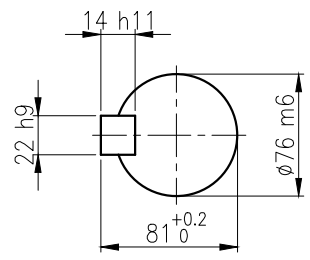
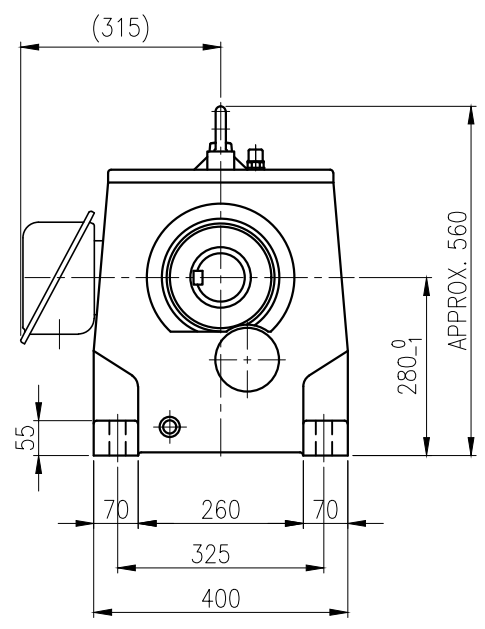
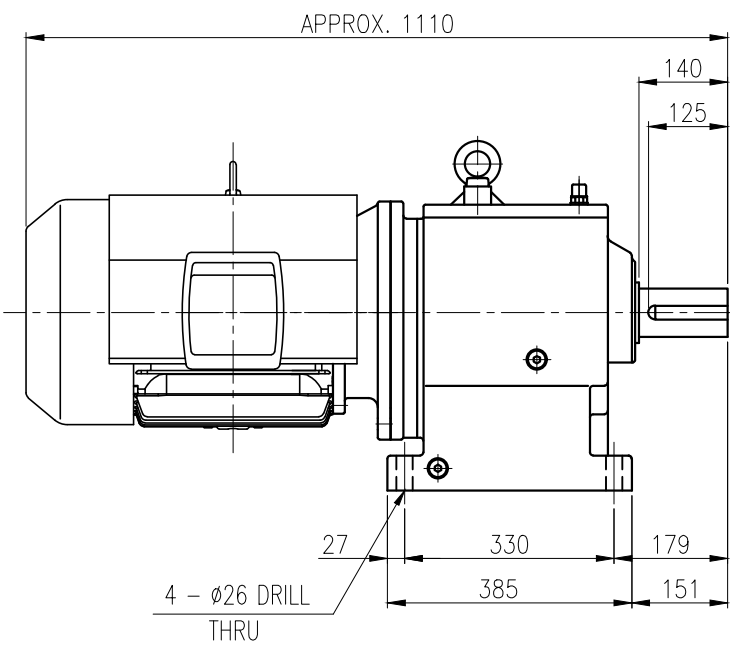


1	2	3	4	5				
No.	NAME	MATERIAL	DWG/MATL No.	CODE	Q'TY	SIZE	WEIGHT	REMARK
					0			



**OUTPUT SHAFT**  
(22x14x114)

		BEARING				
		INPUT SHAFT	6310ZZ	6312ZZ		
OIL SEAL		2ND PINION	6307	NJ307E	OIL : ISO VG 220	
MOTOR SHAFT	D(M) 60 x 82 x 12	3RD PINION	NJ309E	NJ309E	ABOUT 14 l	
OUTPUT SHAFT	D(M) 95 x 140 x 13	OUTPUT SHAFT	22211	22216	WEIGHT 380 kg	

		외형도 OUTLINE DIMENSION					
		DWG No. <b>EK2DO07252W0001</b>				UNIT	mm
						SCALE	1:1
No.	DATE	DESCRIPTION of REVISION				DESIGNED	2018-08-15
		2018.10.01	2018.10.01	2018.10.01	2018.10.01	DATE	2018-08-15
		최성민	문병선	박희성	홍원철	REVISION No.	01
		THIRD ANGLE PROJECTION					
A4(210x297mm) FORM CE-14-0100-444 2013.11.20						REF. No. (GKDS471G05)	
TYPE		HHM28_180M(18.5kW/22kW)_30:1_Ntype				A	

The information written in this drawing is HYOSUNG HEAVY INDUSTRIES's property, and may not be disclosed and/or reproduced without the prior official permission of HYOSUNG HEAVY INDUSTRIES Corp.

이 도면상에 표시된 정보는 호성중공업(주)의 소유이며 당사의 사전 서면동의 없이 무단사용을 금합니다.