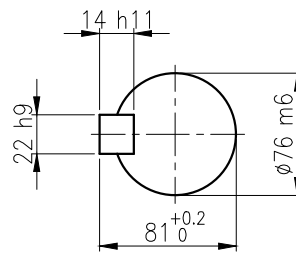
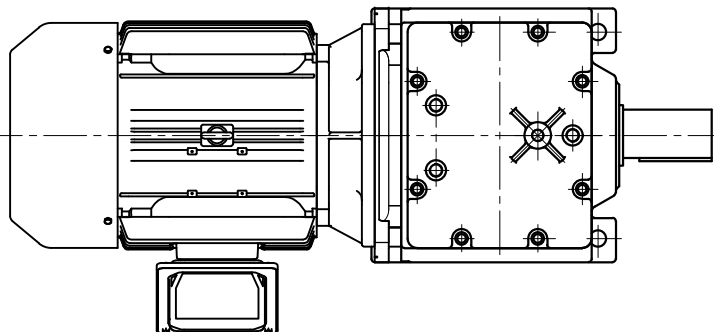
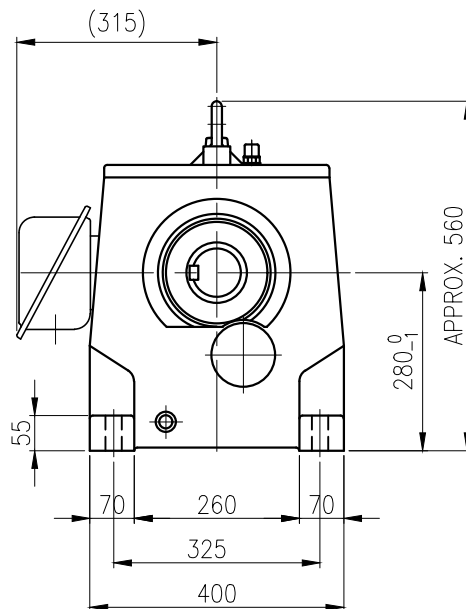
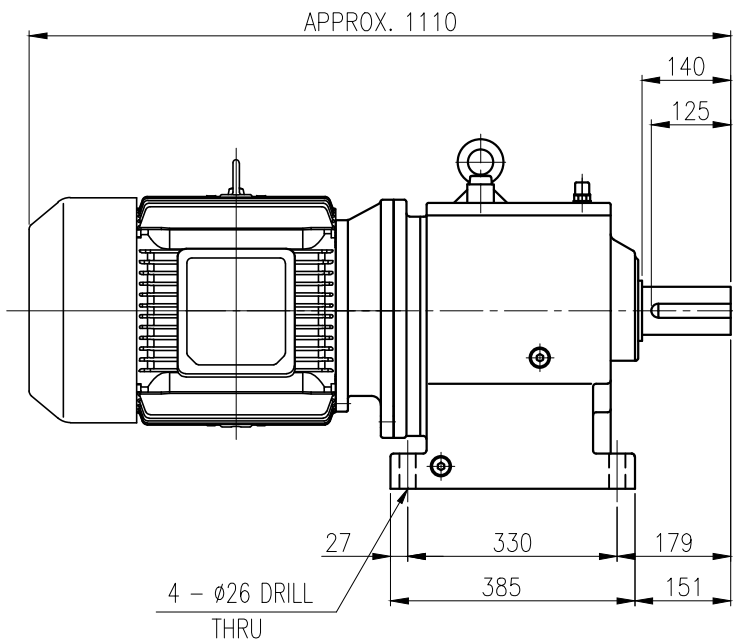


1	2	3	4	5				
No.	NAME	MATERIAL	DWG/MATL No.	CODE	Q'TY	SIZE	WEIGHT	REMARK
					0			



OUTPUT SHAFT
(22x14x114)



			BEARING		
			INPUT SHAFT	6310ZZ 6312ZZ	
OIL SEAL			2ND PINION	6307 NJ307E	OIL : ISO VG 220
MOTOR SHAFT	D(M) 60 x 82 x 12		3RD PINION	NJ309E NJ309E	ABOUT 14 l
OUTPUT SHAFT	D(M) 95 x 140 x 13		OUTPUT SHAFT	22211 22216	WEIGHT 380 kg

		DWG NAME		외형도 OUTLINE DIMENSION			
		DWG No.		EK2DO07252H0001		UNIT	mm
						SCALE	1:1
No.	DATE	DESCRIPTION of REVISION		DESIGNED	CHECKED	REVIEWED	APPROVED
				2018.10.01	2018.10.01	2018.10.01	2018.10.01
				최성민	문병선	박희성	홍원철
						DATE	2018-08-15
						REVISION No.	01
						THIRD ANGLE PROJECTION	
						REF. No.	(GKDS471G05)
						A	

A4(210x297mm)
FORM
CE-14-0100-444
2013.11.20



TYPE HHM28_180M(18.5kW/22kW)_30:1_Ntype

이 도면상에 표시된 정보는 호성중공업(주)의 소유이며 당사의 사전 서면동의 없이 무단사용을 금합니다.