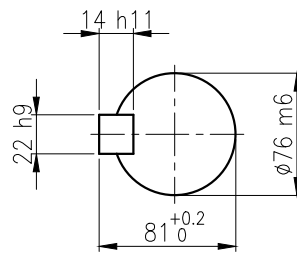
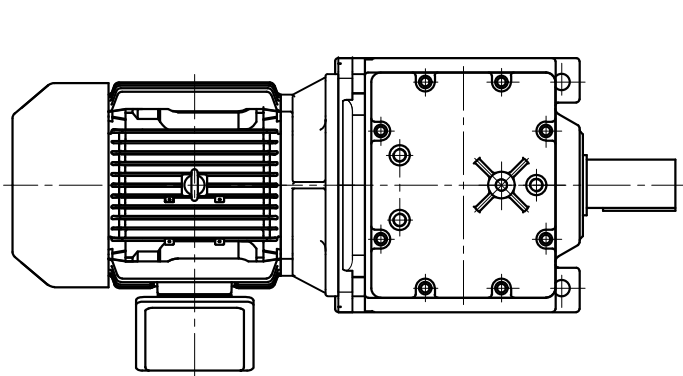
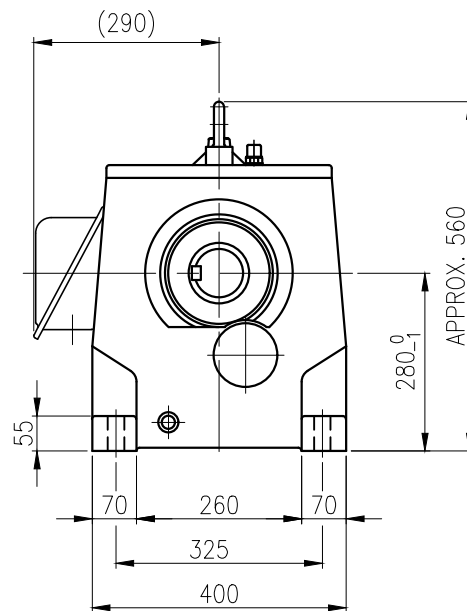
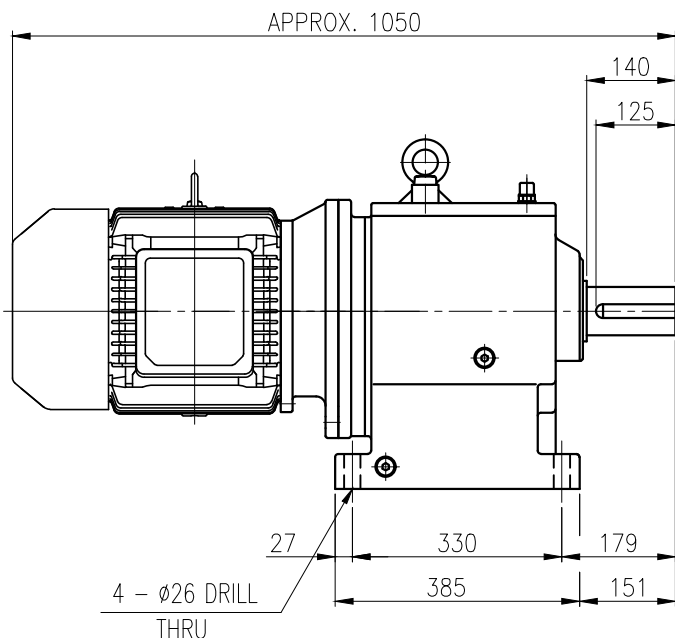


1	2	3	4	5				
No.	NAME	MATERIAL	DWG/MATL No.	CODE	Q'TY	SIZE	WEIGHT	REMARK
					0			



OUTPUT SHAFT
(22x14x114)



			BEARING		
			INPUT SHAFT	6309ZZ 6310ZZ	
OIL SEAL			2ND PINION	6307 NJ307E	OIL : ISO VG 220
MOTOR SHAFT	D(M) 50 x 72 x 12		3RD PINION	NJ309E NJ309E	ABOUT 14 l
OUTPUT SHAFT	D(M) 95 x 140 x 13		OUTPUT SHAFT	22211 22216	WEIGHT 365 kg

		DWG NAME 외형도 OUTLINE DIMENSION	
		DWG No. EK2DO07251H0001	UNIT mm
			SCALE 1:1
No.	DATE	DESIGNED	CHECKED
DESCRIPTION of REVISION		REVIEWED	APPROVED
		DATE	2018-08-15
		DESIGNED	2018.10.01
		CHECKED	2018.10.01
		REVIEWED	2018.10.01
		APPROVED	2018.10.01
		DATE	2018-08-15
		REVISION No.	01
		THIRD ANGLE PROJECTION	
A4(210x297mm) FORM CE-14-0100-4A4 2013.11.20 HYOSUNG HEAVY INDUSTRIES TYPE HHM28_160L(15kW)_40:1_Ntype		REF. No.	(GKDS471G04)
		(A)	

이 도면상에 표시된 정보는 호성중공업(주)의 소유이며 당사의 사전 서면동의 없이 무단사용을 금합니다.