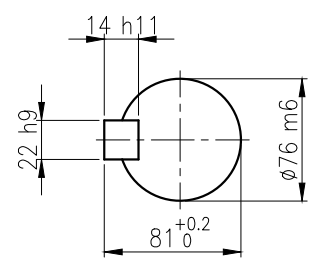
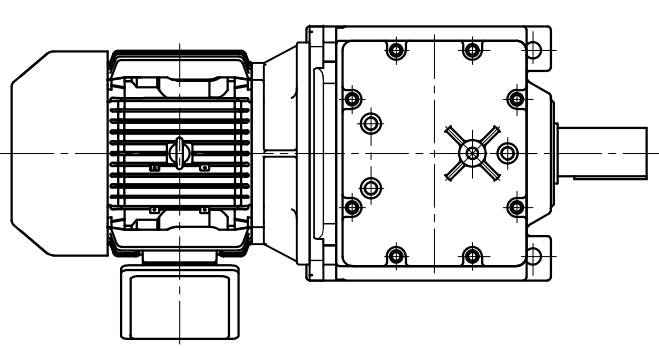
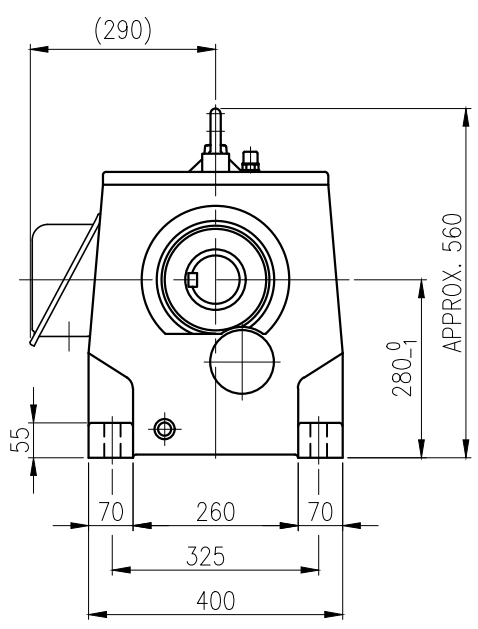
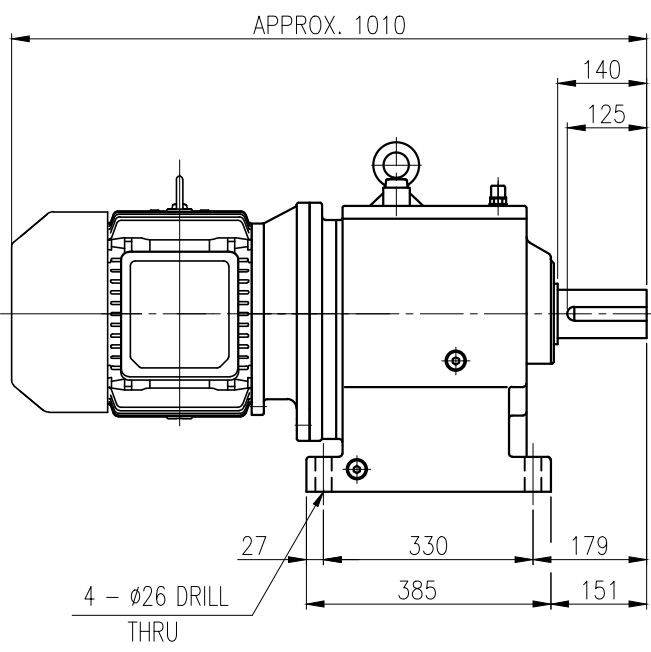


1	2	3	4	5				
No.	NAME	MATERIAL	DWG/MATL No.	CODE	Q'TY	SIZE	WEIGHT	REMARK
					0			



OUTPUT SHAFT
(22x14x114)



		BEARING			
		INPUT SHAFT	6309ZZ	6310ZZ	
OIL SEAL		2ND PINION	6307	NJ307E	OIL : ISO VG 220
MOTOR SHAFT	D(M) 50 x 72 x 12	3RD PINION	NJ309E	NJ309E	ABOUT 14 l
OUTPUT SHAFT	D(M) 95 x 140 x 13	OUTPUT SHAFT	22211	22216	WEIGHT 340 kg

		외형도 OUTLINE DIMENSION			
		DWG No. EK2DO07250H0001		UNIT	mm
				SCALE	1:1
No.	DATE	DESIGNER		DESIGNED	2018-08-15
DESCRIPTION of REVISION		CHECKED	REVIEWED	APPROVED	
HYOSUNG HEAVY INDUSTRIES TYPE HHM28_160M(11kW)_40~60:1_Ntype		2018.10.01	2018.10.01	2018.10.01	2018.10.01
		최성민	문병선	박희성	홍원철
		THIRD ANGLE PROJECTION			REVISION No. 01
		REF. No. (GKDS471G03)			A

The information written in this drawing is HYOSUNG HEAVY INDUSTRIES's property, and may not be disclosed and/or reproduced without the prior official permission of HYOSUNG HEAVY INDUSTRIES Corp.

이 도면상에 표시된 정보는 호성중공업(주)의 소유이며 당사의 사전 서면동의 없이 무단사용을 금합니다.