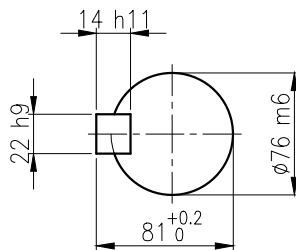
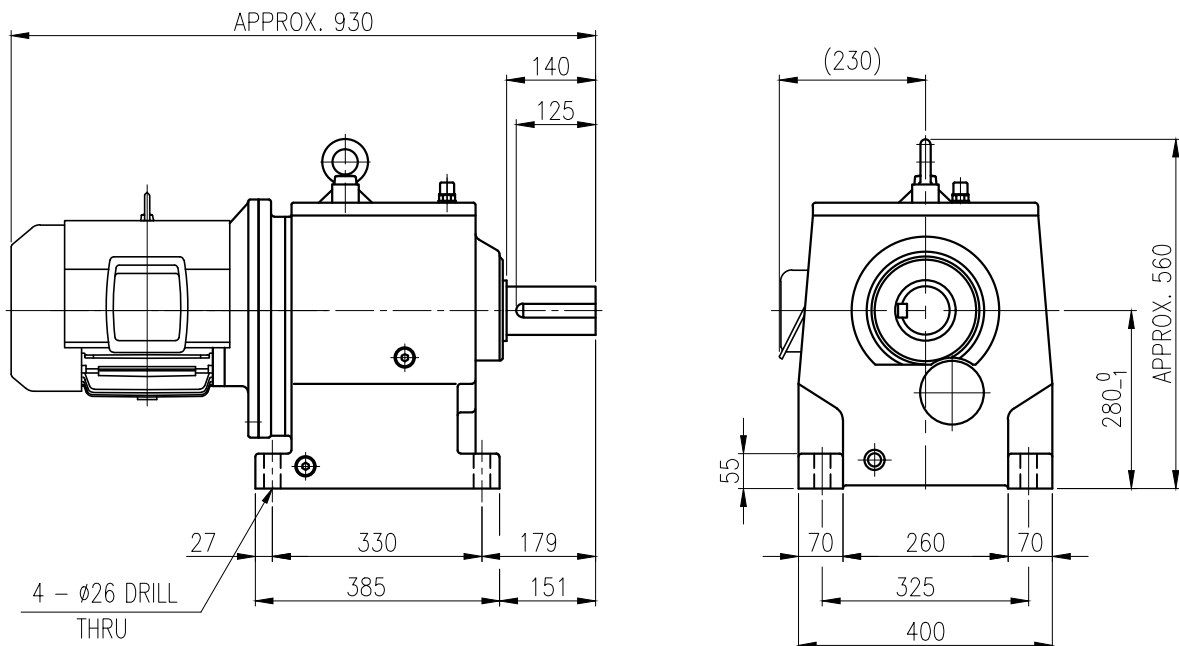


1	2	3	4	5				
No.	NAME	MATERIAL	DWG/MATL No.	CODE	Q'TY	SIZE	WEIGHT	REMARK
					0			



**OUTPUT SHAFT**  
(22x14x114)

			BEARING		
			INPUT SHAFT	6207ZZ 6308ZZ	
	OIL SEAL		2ND PINION	6307 NJ307E	OIL : ISO VG 220
	MOTOR SHAFT	D(M) 40 x 62 x 11	3RD PINION	NJ309E NJ309E	ABOUT 14 l
	OUTPUT SHAFT	D(M) 95 x 140 x 13	OUTPUT SHAFT	22211 22216	WEIGHT 310 kg

		DWG NAME		외형도 OUTLINE DIMENSION			
		DWG No.		<b>EK2DO07249W0001</b>		UNIT	mm
						SCALE	1:1
No.	DATE	DESCRIPTION of REVISION		DESIGNED	CHECKED	REVIEWED	APPROVED
				2018.10.01	2018.10.01	2018.10.01	2018.10.01
				최성민	문병선	박희성	홍원철
						DATE	2018-08-15
						REVISION No.	01
						THIRD ANGLE PROJECTION	
						REF. No.	(GKDS471G02)
						(A)	

TYPE HHM28\_132M(7.5kW)\_60:1\_Ntype

이 도면상에 표시된 정보는 호성중공업(주)의 소유이며 당사의 사전 서면동의 없이 무단사용을 금합니다.