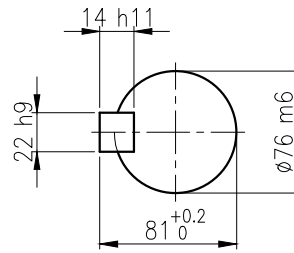
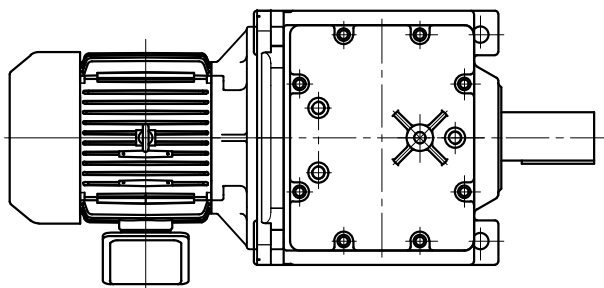
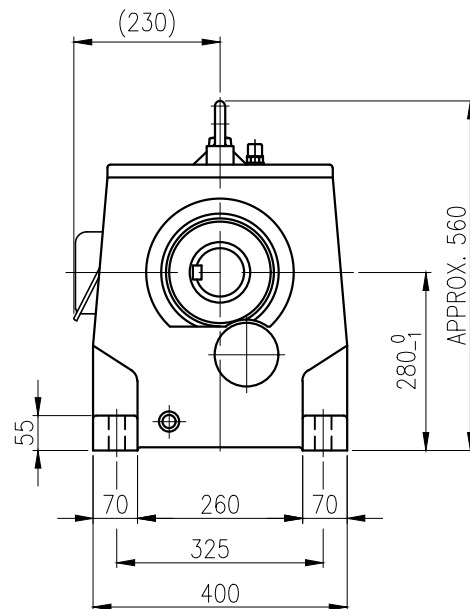
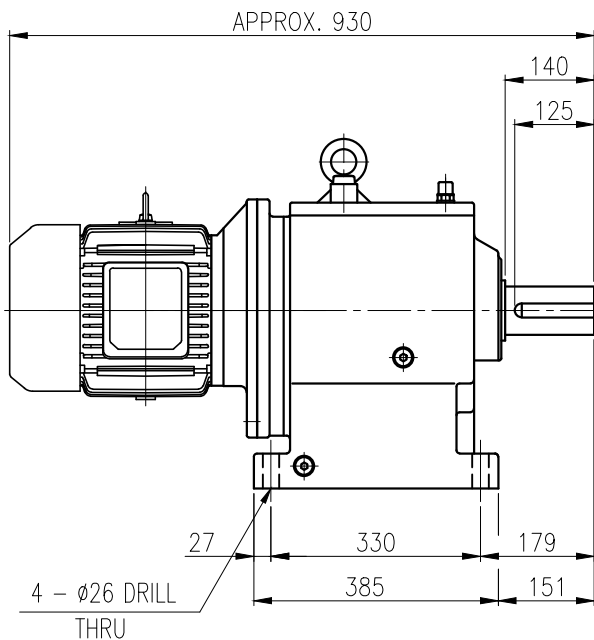


1	2	3	4	5				
No.	NAME	MATERIAL	DWG/MATL No.	CODE	Q'TY	SIZE	WEIGHT	REMARK
					0			



OUTPUT SHAFT
(22x14x114)



		BEARING			
		INPUT SHAFT	6207ZZ	6308ZZ	
OIL SEAL		2ND PINION	6307	NJ307E	OIL : ISO VG 220
MOTOR SHAFT	D(M) 40 x 62 x 11	3RD PINION	NJ309E	NJ309E	ABOUT 14 l
OUTPUT SHAFT	D(M) 95 x 140 x 13	OUTPUT SHAFT	22211	22216	WEIGHT 310 kg

		외형도 OUTLINE DIMENSION				DWG NAME	
		DWG No. EK2DO07249H0001				UNIT	mm
						SCALE	1:1
No.	DATE	DESCRIPTION of REVISION				DESIGNED	2018-08-15
A4(210x297mm) FORM CE-14-0100-444 2013.11.20			2018.10.01	2018.10.01	2018.10.01	2018.10.01	REVISION No. 01
			최성민	문병선	박희성	홍원철	THIRD ANGLE PROJECTION
TYPE		HHM28_132M(7.5kW)_60:1_Ntype				REF. No.	(GKDS471G02)

이 도면상에 표시된 정보는 호성중공업(주)의 소유이며 당사의 사전 서면동의 없이 무단사용을 금합니다.