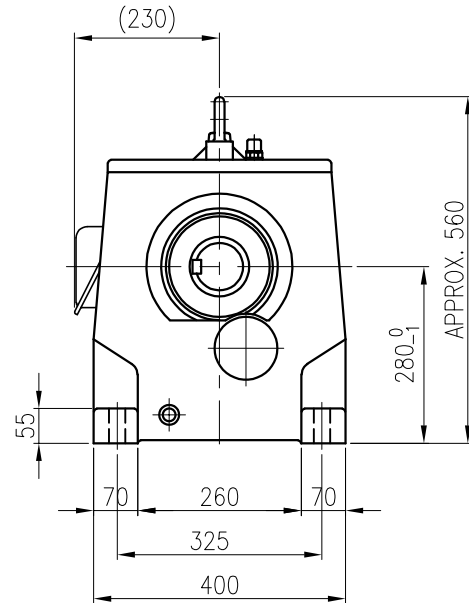
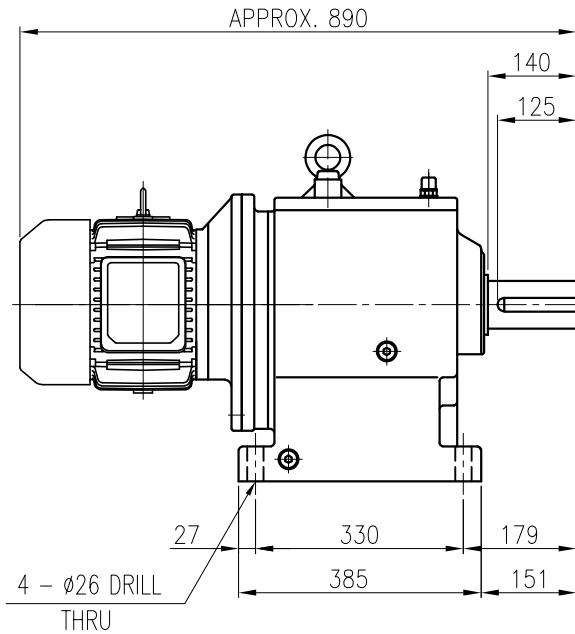


OUTPUT SHAFT

(22x14x114)



BEARING			
INPUT SHAFT	6207ZZ	6308ZZ	
2ND PINION	6307	NJ307E	
3RD PINION	NJ309E	NJ309E	
OUTPUT SHAFT	22211	22216	

OIL SEAL		2ND PINION	6307	NJ307E	OIL : ISO VG 220
MOTOR SHAFT	D(M) 40 x 62 x 11	3RD PINION	NJ309E	NJ309E	ABOUT 14 l
OUTPUT SHAFT	D(M) 95 x 140 x 13	OUTPUT SHAFT	22211	22216	WEIGHT 300 kg

		외형도 OUTLINE DIMENSION							
		DWG No. EK2D007248H0001				UNIT	mm		
						SCALE	1:1		
No.	DATE	DESCRIPTION of REVISION		DESIGNED	CHECKED	REVIEWED	APPROVED	DATE	2018-08-15
A4(210X297/mm)	FORM CE-14-0100-4A4 2013.11.20			2018.10.01	2018.10.01	2018.10.01	2018.10.01	REVISION No.	00
TYPE				HHM28_132S(5.5kW)_80~120:1_Ntype		최성민	문병선	박희성	홍원철
		REF. No.	(GKDS471G01)				(A)		

이 도면상에 표시된 정보는 호성중공업(주)의 소유이며, 당사와의 사전 서면동의 없이 무단사용을 금합니다.