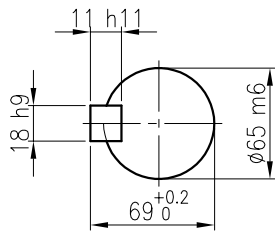
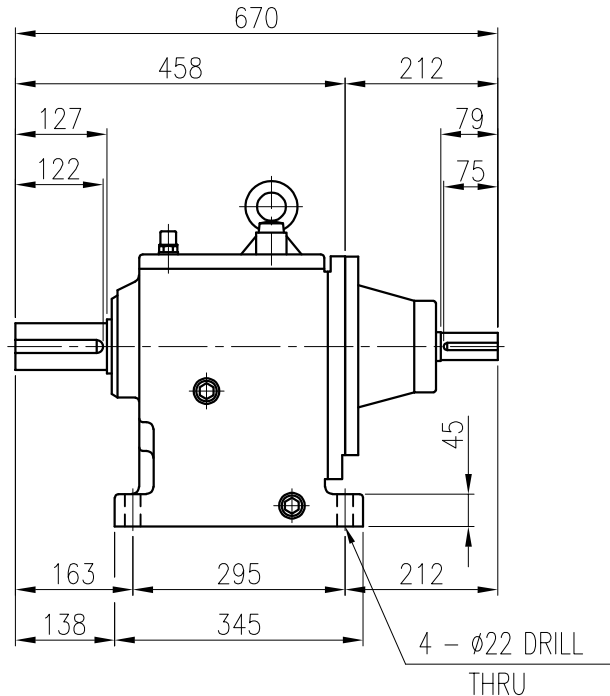
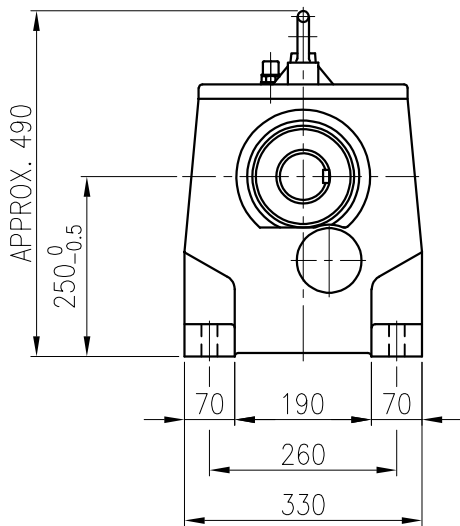
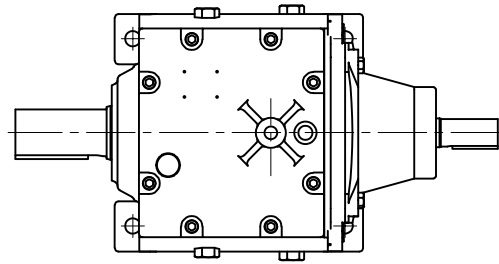


**INPUT SHAFT**  
(10x8x70)



**OUTPUT SHAFT**  
(18x11x113)



BEARING			
INPUT SHAFT	6308ZZ	6308ZZ	
2ND PINION	6404	NJ306E	
3RD PINION	NJ308E	NJ308E	
OUTPUT SHAFT	22209	22213	

OIL SEAL				OIL : ISO VG 220	
MOTOR SHAFT	D(M) 40 x 90 x 10			ABOUT 10 l	
OUTPUT SHAFT	D(M) 75 x 120 x 12			WEIGHT 155 kg	

No.		DATE	DESCRIPTION of REVISION	DWG NAME				UNIT	mm
				<b>외형도</b> OUTLINE DIMENSION				SCALE	1:1
				DWG No.	EK2D007246H0001			DATE	2018-08-15
				DESIGNED	CHECKED	REVIEWED	APPROVED	REVISION No.	01
				2018.10.01	2018.10.01	2018.10.01	2018.10.01	THIRD ANGLE PROJECTION	
				최성민	문병선	박희성	홍원철		
TYPE HH25_112M(3.7KW)_80~120:1_N type				REF. No.	(GKDS478)			(A)	

이 도면상에 표시된 정보는 제조업체(주)의 소유이며, 당사의 사전 서면동의 없이 무단사용을 금합니다.