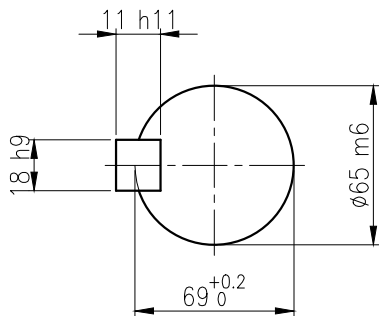
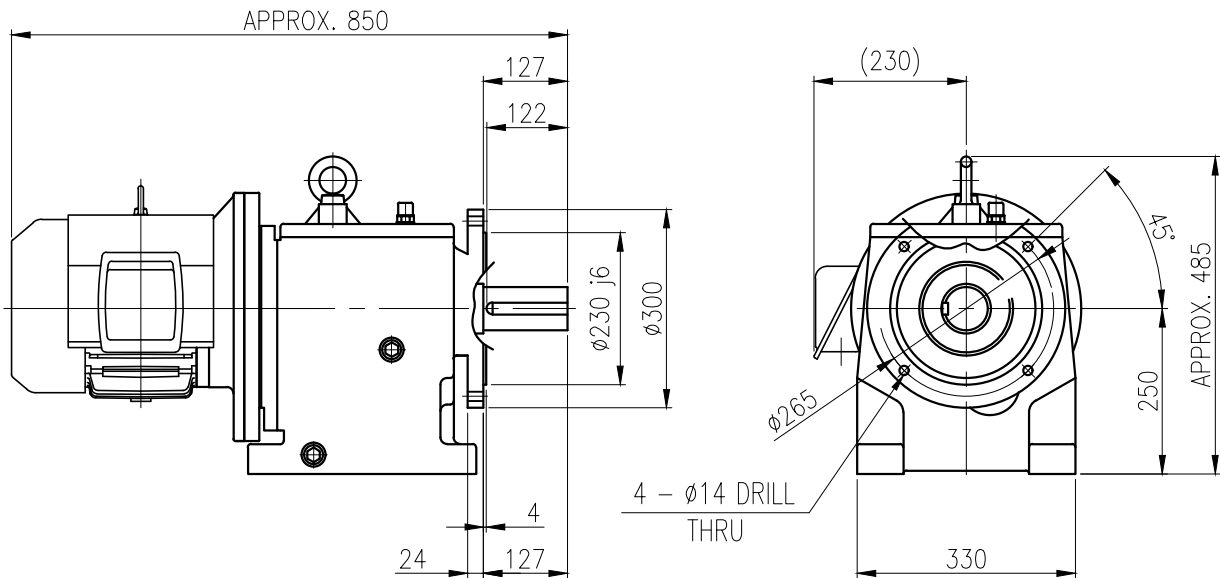


| 1 | 2 | 3 | 4 | 5 | | | | |
|-----|------|----------|--------------|------|------|------|--------|--------|
| No. | NAME | MATERIAL | DWG/MATL No. | CODE | Q'TY | SIZE | WEIGHT | REMARK |
| | | | | | 0 | | | |



OUTPUT SHAFT

(18x11x113)

| | | | | | |
|--------------|--------------------|--------------|-------------|---------------|------------------|
| | | | BEARING | | |
| | | | INPUT SHAFT | 6207ZZ 6308ZZ | |
| OIL SEAL | | 2ND PINION | 6404 | NJ306E | OIL : ISO VG 220 |
| MOTOR SHAFT | D(M) 40 x 62 x 11 | 3RD PINION | NJ308E | NJ308E | ABOUT 10 l |
| OUTPUT SHAFT | D(M) 75 x 120 x 12 | OUTPUT SHAFT | 22209 | 22213 | WEIGHT 205 kg |

| | | | | | | | |
|-----|------|-------------------------|--|--------------------------|------------|------------------------|--------------|
| | | DWG NAME | | 외형도 OUTLINE DIMENSION | | | |
| | | DWG No. | | EK2DO07244W0001 | | UNIT | mm |
| | | | | | | SCALE | 1:1 |
| No. | DATE | DESCRIPTION of REVISION | | DESIGNED | CHECKED | REVIEWED | APPROVED |
| | | | | 2018.10.01 | 2018.10.01 | 2018.10.01 | 2018.10.01 |
| | | | | 최성민 | 문병선 | 박희성 | 홍원철 |
| | | | | | | DATE | 2018-08-15 |
| | | | | | | REVISION No. | 01 |
| | | | | | | THIRD ANGLE PROJECTION | |
| | | | | | | REF. No. | (GKDS474G02) |
| | | | | | | A | |

이 도면에 표시된 정보는 호성중공업(주)의 소유이며 당사의 사전 서면동의 없이 무단사용을 금합니다.