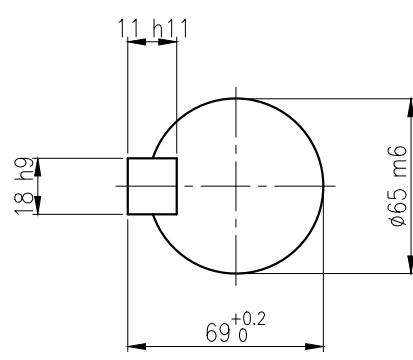
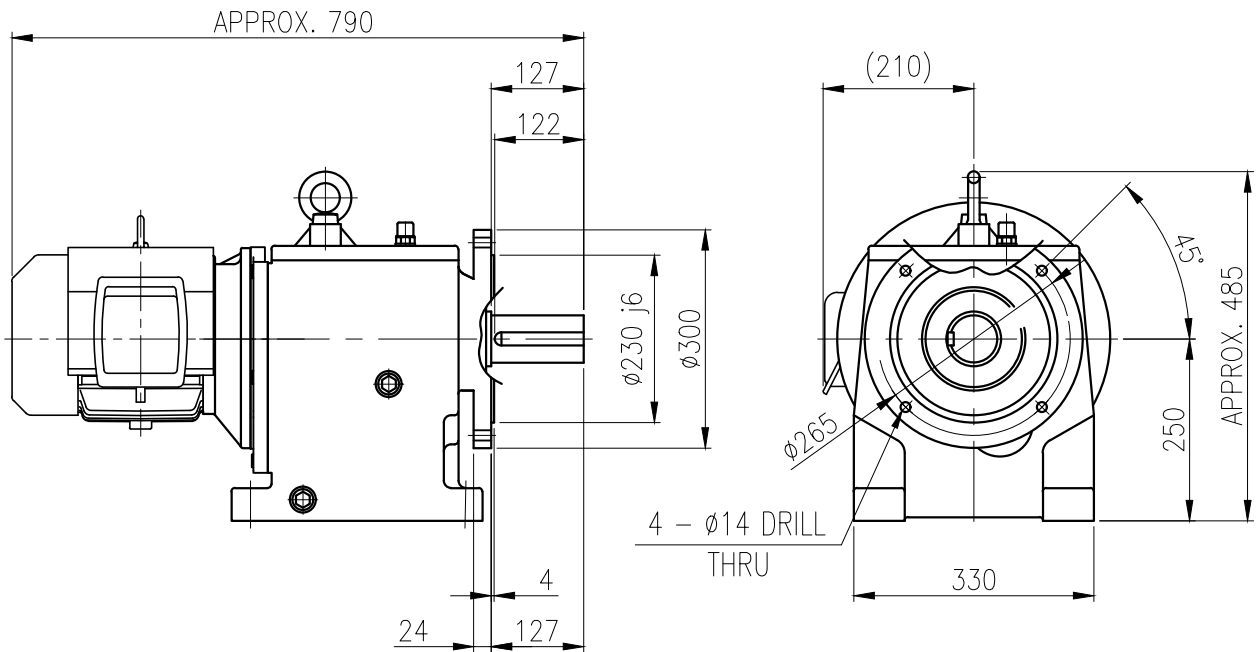


1	2	3	4	5				
No.	NAME	MATERIAL	DWG/MATL No.	CODE	Q'TY	SIZE	WEIGHT	REMARK
					0			



OUTPUT SHAFT
(18x11x113)

BEARING			
INPUT SHAFT	6206ZZ	6307ZZ	
2ND PINION	6404	NJ306E	
3RD PINION	NJ308E	NJ308E	
OUTPUT SHAFT	22209	22213	

OIL SEAL		2ND PINION		OIL : ISO VG 220	
MOTOR SHAFT	D(M) 35 x 55 x 11	3RD PINION		ABOUT 10 l	
OUTPUT SHAFT	D(M) 75 x 120 x 12	OUTPUT SHAFT		WEIGHT 188 kg	

DWG NAME		외형도 OUTLINE DIMENSION			
DWG No.		EK2DO07243W0001		UNIT	mm
				SCALE	1:1
No.	DATE	DESIGNED	CHECKED	REVIEWED	APPROVED
		2018.10.01	2018.10.01	2018.10.01	2018.10.01
		최성민	문병선	박희성	홍원철
DESCRIPTION of REVISION		DATE	2018-08-15		
		REVISION No.	01		
		THIRD ANGLE PROJECTION			
TYPE		REF. No.		(GKDS474G01)	
				A	

A4(210x297mm)
FORM
CE-14-0100-444
2013.11.20

HYOSUNG HEAVY INDUSTRIES

TYPE HFM25_112M(3.7kW)_80~120:1_Ntype

이 도면상에 표시된 정보는 호성중공업(주)의 소유이며 당사의 사전 서면동의 없이 무단사용을 금합니다.