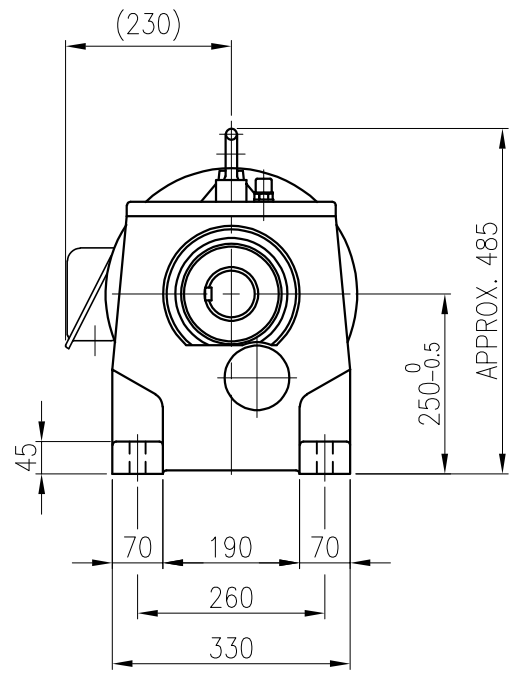
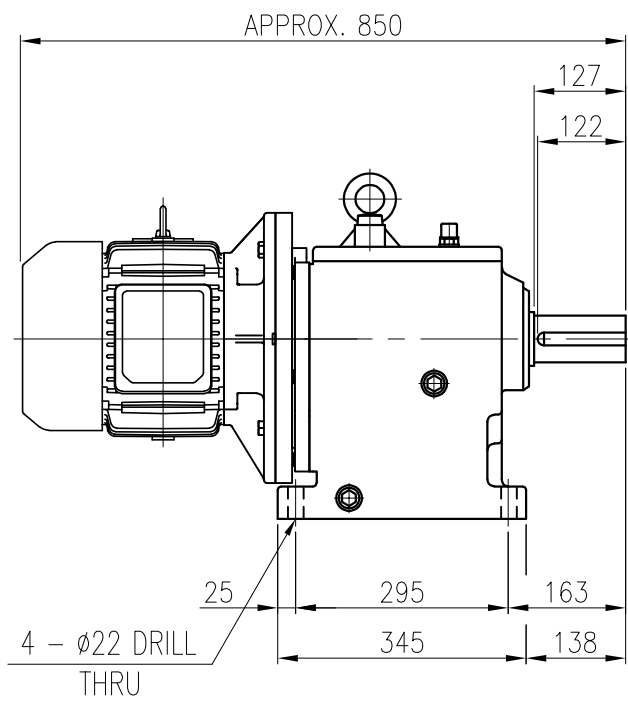


OUTPUT SHAFT
(18x11x113)



		BEARING				
		INPUT SHAFT	6207ZZ	6308ZZ		
OIL SEAL		2ND PINION	6404	NJ306E	OIL : ISO VG 220	
MOTOR SHAFT	D(M) 40 x 62 x 11	3RD PINION	NJ308E	NJ308E	ABOUT 10 l	
OUTPUT SHAFT	D(M) 75 x 120 x 12	OUTPUT SHAFT	22209	22213	WEIGHT 205 kg	

		외형도 OUTLINE DIMENSION					
		DWG No. EK2D007241H0001				UNIT	mm
						SCALE	1:1
No.	DATE	DESCRIPTION of REVISION				DESIGNED	CHECKED
						REVIEWED	APPROVED
						DATE	2018-08-15
						REVISION No.	01
						THIRD ANGLE PROJECTION	
A4(210X297mm) FORM CE-14-0100-4A4 2013.11.20		HYOSUNG HEAVY INDUSTRIES TYPE HHM25_132S(5.5kW)_40~60:1_Ntype				REF. No.	(GKDS470G02)
						(A)	

이 도면상에 표시된 정보는 호성중공업(주)의 소유이며, 당사의 사전 서면동의 없이 무단사용을 금합니다.