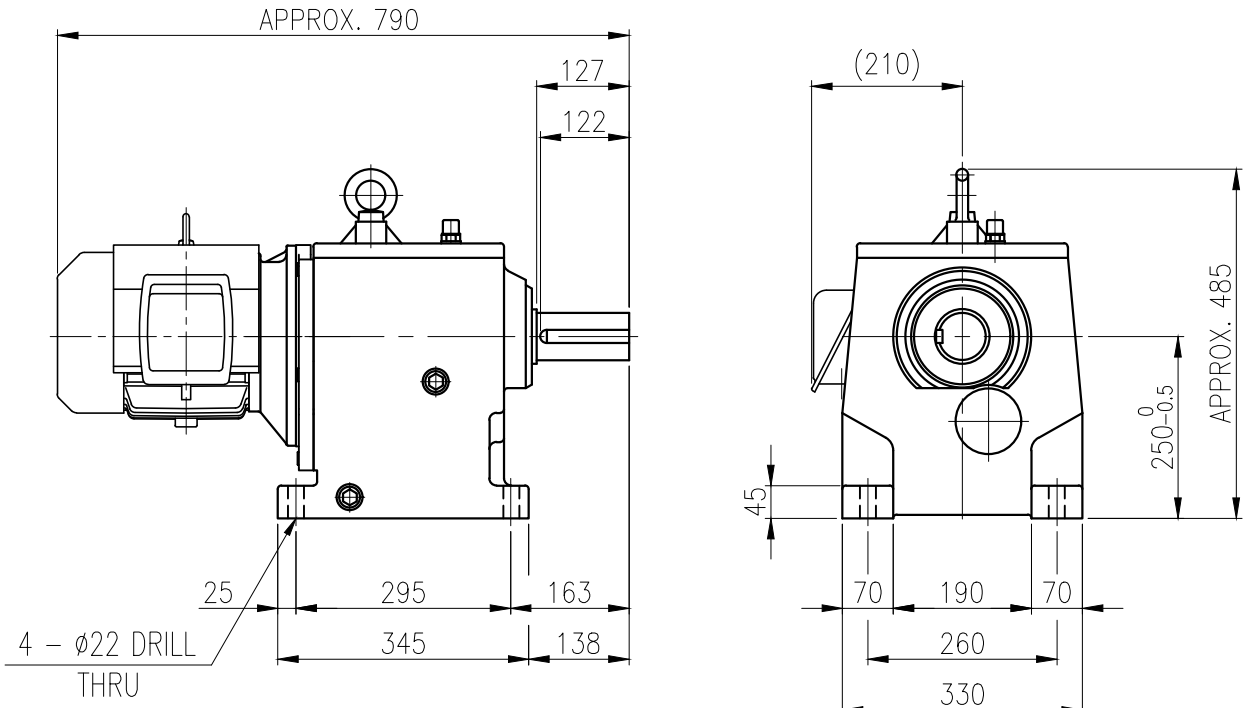


1	2	3	4	5				
No.	NAME	MATERIAL	DWG/MATL No.	CODE	Q'TY	SIZE	WEIGHT	REMARK
					0			



OUTPUT SHAFT
(18x11x113)

		BEARING				
		INPUT SHAFT	6206ZZ	6307ZZ		
OIL SEAL		2ND PINION	6404	NJ306E	OIL : ISO VG 220	
MOTOR SHAFT	D(M) 35 x 55 x 11	3RD PINION	NJ308E	NJ308E	ABOUT 10 l	
OUTPUT SHAFT	D(M) 75 x 120 x 12	OUTPUT SHAFT	22209	22213	WEIGHT	188 kg

DWG NAME		외형도 OUTLINE DIMENSION					
DWG No.		EK2DO07240W0001		UNIT	mm		
				SCALE	1:1		
No.	DATE	DESIGNED	CHECKED	REVIEWED	APPROVED	DATE	2018-08-15
		2018.10.01	2018.10.01	2018.10.01	2018.10.01	REVISION No.	01
		최성민	문병선	박희성	홍원철	THIRD ANGLE PROJECTION	
TYPE		HHM25_112M(3.7kW)_80~120:1_Ntype		REF. No.		(GKDS470G01)	

A4(210x297mm) FORM CE-14-0100-4A4 2013.11.20

이 도면상에 표시된 정보는 호성중공업(주)의 소유이며 당사의 사전 서면동의 없이 무단사용을 금합니다.