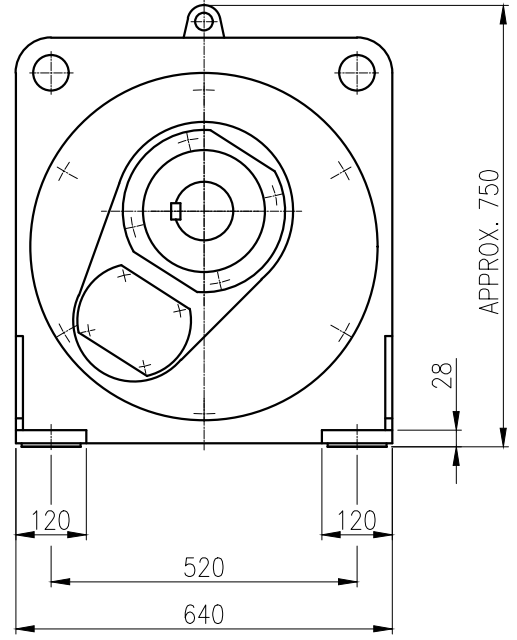
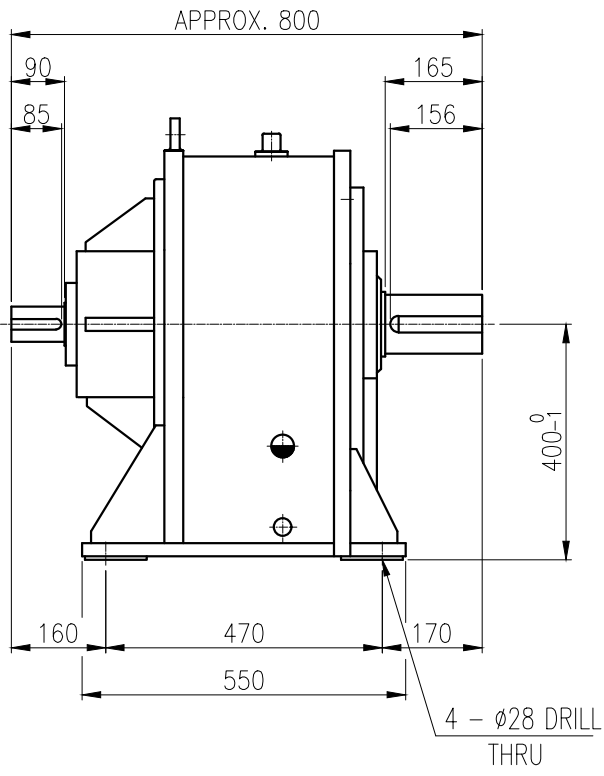
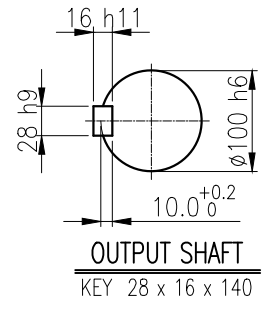
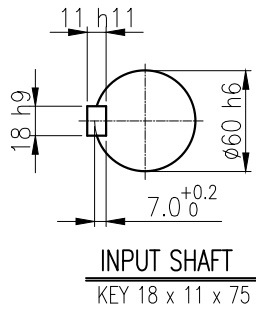
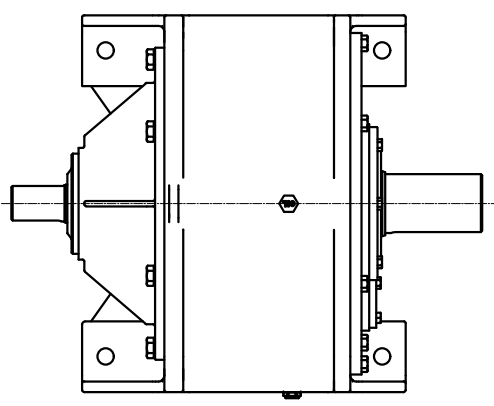


1	2	3	4	5				
No.	NAME	MATERIAL	DWG/MATL No.	CODE	Q'TY	SIZE	WEIGHT	REMARK
					0			



		BEARING			
		INPUT SHAFT	6213ZZ	6315ZZ	
OIL SEAL		2ND PINION	30312	30214	OIL : ISO VG 220
MOTOR SHAFT	D(M) 65 x 90 x 13	3RD PINION	-	-	ABOUT 22 l
OUTPUT SHAFT	D(M) 110 x 140 x 14	OUTPUT SHAFT	30217	30222	WEIGHT 480 kg

		외형도 OUTLINE DIMENSION							
		DWG No. EK2DO07236H0001		UNIT	mm				
				SCALE	1:1				
No.	DATE	DESCRIPTION of REVISION		DESIGNED	CHECKED	REVIEWED	APPROVED	DATE	2018-08-15
A4(210X297mm)	FORM CE-14-0100-444 2013.11.20			2018.10.01 최성민	2018.10.01 문병선	2018.10.01 박희성	2018.10.01 홍원철	REVISION No.	01
TYPE				FHL_45&55&75kW_4P_5~20:1_N type		REF. No.		(EN985)	

The information written in this drawing is HYOSUNG HEAVY INDUSTRIES's property, and may not be disclosed and/or reproduced without the prior official permission of HYOSUNG HEAVY INDUSTRIES Corp.

이 도면상에 표시된 정보는 호성중공업(주)의 소유이며 당사의 사전 서면동의 없이 무단사용을 금합니다.