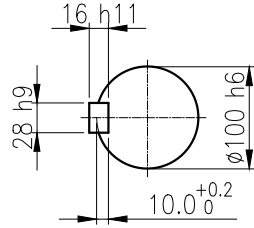
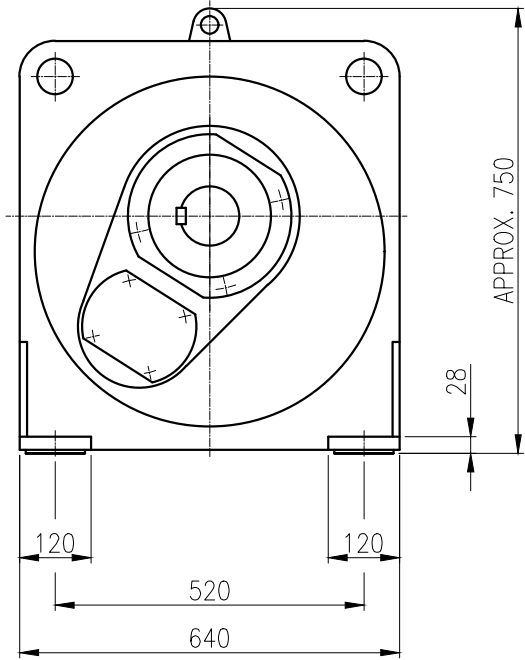
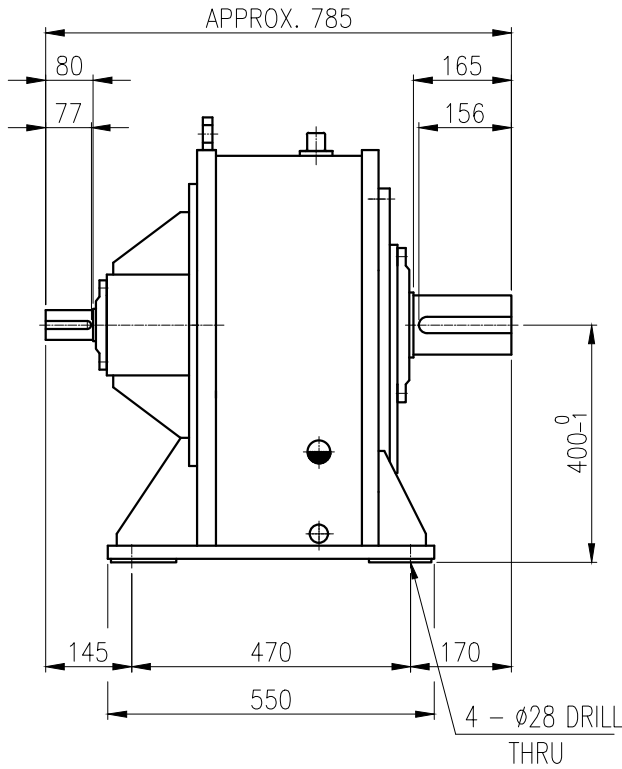


INPUT SHAFT
KEY 14 x 9 x 70



OUTPUT SHAFT
KEY 28 x 16 x 140



BEARING	
INPUT SHAFT	6211ZZ 6313ZZ
2ND PINION	30311 30213
3RD PINION	- -
OUTPUT SHAFT	30217 30222

OIL SEAL		2ND PINION		OIL : ISO VG 220	
MOTOR SHAFT	D(M) 55 x 78 x 12	3RD PINION		ABOUT 22 l	
OUTPUT SHAFT	D(M) 110 x 140 x 14	OUTPUT SHAFT		WEIGHT 480 kg	

No.		DATE		DESCRIPTION of REVISION		DWG NAME				UNIT	
A4(210x297mm)		FORM		CE-14-0100-4A4		외형도				mm	
2013.11.20						OUTLINE DIMENSION				SCALE	
						DWG No. EK2D007233H0001				1:1	
						DESIGNED	CHECKED	REVIEWED	APPROVED	DATE	2018-08-15
						2018.10.01	2018.10.01	2018.10.01	2018.10.01	REVISION No.	01
						최성민	문병선	박희성	홍원철	THIRD ANGLE PROJECTION	
						TYPE FHL_30&37kW_4P_25~30:1_N type				REF. No. (EN984)	
										A	

이 도면상에 표시된 정보는 표상용이며 (주)의 소유이며 영사의 사전 서면동의 없이 무단사용을 금합니다.