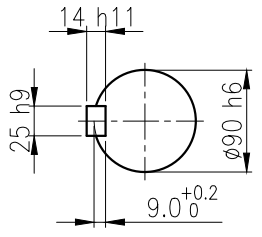
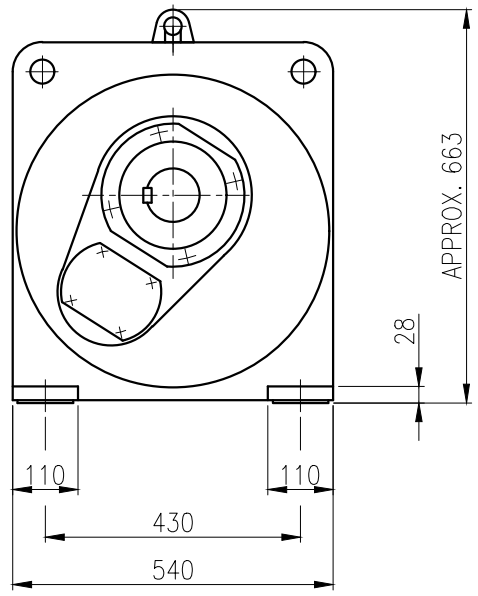
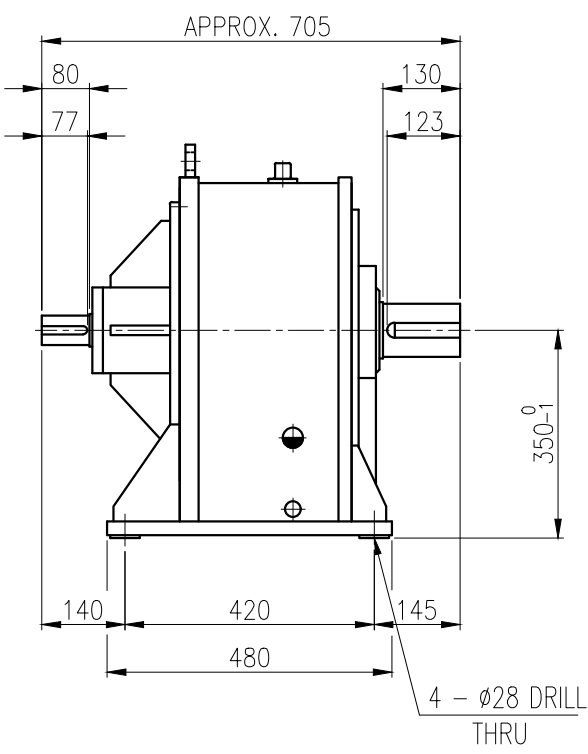


INPUT SHAFT
KEY 14 x 9 x 70



OUTPUT SHAFT
KEY 25 x 14 x 110



BEARING			
INPUT SHAFT	6211ZZ	6313ZZ	
2ND PINION	30310	30212	
3RD PINION	-	-	
OUTPUT SHAFT	30214	30219	

OIL SEAL		2ND PINION	30310	30212	OIL : ISO VG 220
MOTOR SHAFT	D(M) 55 x 78 x 12	3RD PINION	-	-	ABOUT 15 l
OUTPUT SHAFT	D(M) 95 x 120 x 13	OUTPUT SHAFT	30214	30219	WEIGHT 365 kg

No.		DATE	DESCRIPTION of REVISION	DESIGNED	CHECKED	REVIEWED	APPROVED	DATE	2018-08-15
HYOSUNG HEAVY INDUSTRIES TYPE FHL_30&37kW_4P_5~20:1_N type				2018.10.01	2018.10.01	2018.10.01	2018.10.01	REVISION No.	01
				최성민	문병선	박희성	홍원철	THIRD ANGLE PROJECTION	
REF. No.				(EN983)				A	

The information written in this drawing is HYOSUNG HEAVY INDUSTRIES's property, and may not be disclosed and/or reproduced without the prior official permission of HYOSUNG HEAVY INDUSTRIES Corp.

이 도면상에 표시된 정보는 표상용(단)의 소유이며 영사의 사전 서면동의 없이 무단사용을 금합니다.