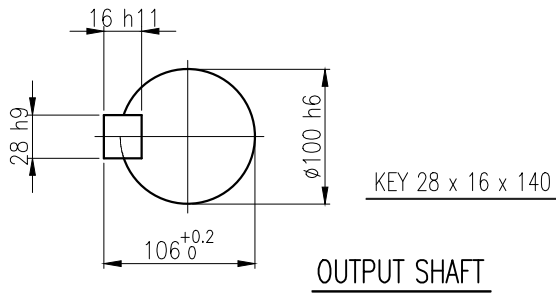
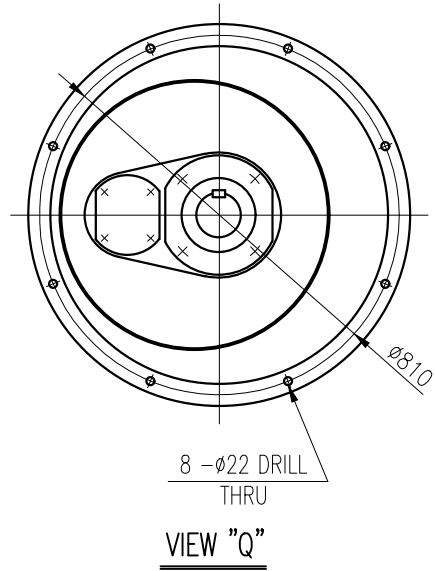
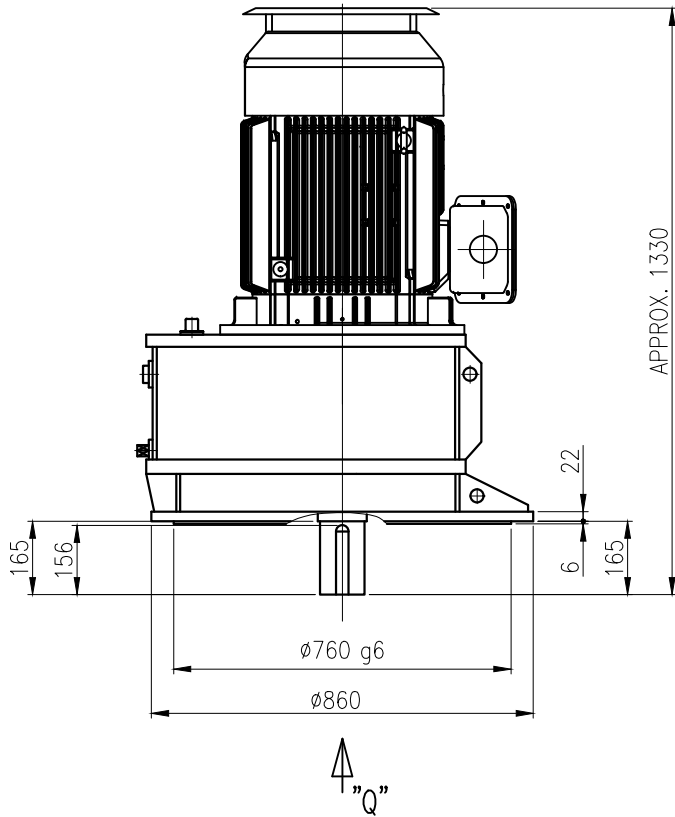


1	2	3	4	5				
No.	NAME	MATERIAL	DWG/MATL No.	CODE	Q'TY	SIZE	WEIGHT	REMARK
					0			



OUTPUT SHAFT

		BEARING		
		INPUT SHAFT	6312ZC3 6315ZZ	
OIL SEAL		2ND PINION	30312 30214	OIL : ISO VG 220
MOTOR SHAFT	D(M) 70 x 95 x 13	3RD PINION	-	ABOUT 56 l
OUTPUT SHAFT	D(M) 110 x 140 x 14	OUTPUT SHAFT	30217 30222	WEIGHT 997 kg

		DWG NAME		외형도 OUTLINE DIMENSION	
		DWG No.		EK2DO07224W0008	UNIT mm
				SCALE	1:1
No.	DATE	DESCRIPTION of REVISION		DESIGNED	CHECKED
				2018.10.01	2018.10.01
				최성민	문병선
				2018.10.01	2018.10.01
				박희성	홍원철
				DATE	2018-08-15
				REVISION No.	01
				THIRD ANGLE PROJECTION	
				REF. No.	(EN973)
				(A)	

HYOSUNG HEAVY INDUSTRIES
 TYPE FVM_225S(55kW)_5~20:1_Ntype
 A4(210X297mm) FORM CE-14-0100-444 2013.11.20

The information written in this drawing is HYOSUNG HEAVY INDUSTRIES's property, and may not be disclosed and/or reproduced without the prior official permission of HYOSUNG HEAVY INDUSTRIES Corp.

이 도면상에 표시된 정보는 호성중공업(주)의 소유이며 당사의 사전 서면동의 없이 무단사용을 금합니다.