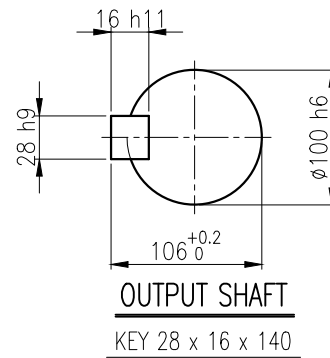
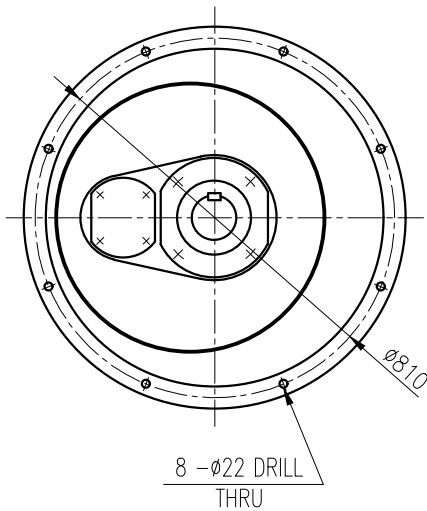
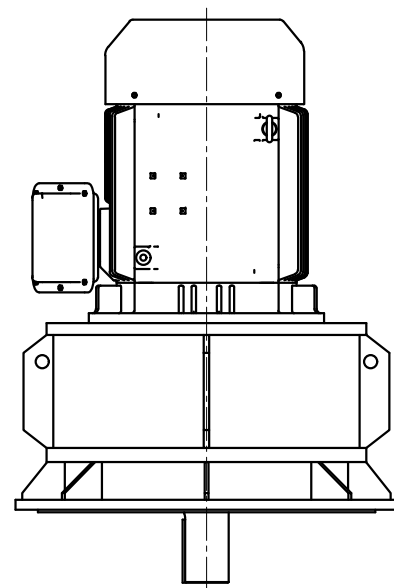
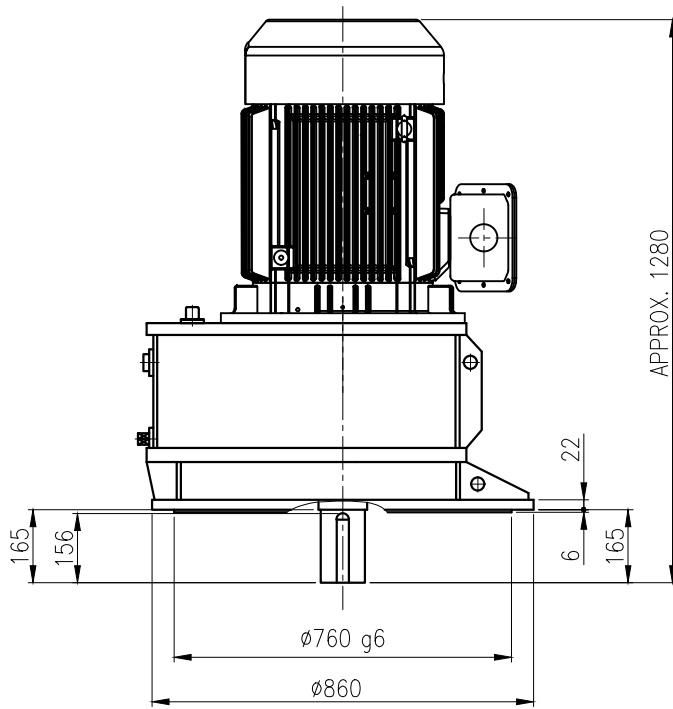


1	2	3	4	5
No.	NAME	MATERIAL	DWG/MATL No.	CODE Q'TY
				0
			SIZE	WEIGHT
				REMARK



		BEARING		
		INPUT SHAFT	6312ZC3 6315ZZ	
OIL SEAL		2ND PINION	30312 30214	OIL : ISO VG 220
MOTOR SHAFT	D(M) 70 x 95 x 13	3RD PINION	-	ABOUT 56 l
OUTPUT SHAFT	D(M) 110 x 140 x 14	OUTPUT SHAFT	30217 30222	WEIGHT 997 kg

		DWG NAME 외형도 OUTLINE DIMENSION			
		DWG No. EK2DO07224H0008		UNIT mm	
				SCALE 1:1	
No.	DATE	DESIGNED	CHECKED	REVIEWED	APPROVED
		2018.10.01	2018.10.01	2018.10.01	2018.10.01
		최성민	문병선	박희성	홍원철
DESCRIPTION of REVISION		DATE		2018-08-15	
		REVISION No.		01	
		THIRD ANGLE PROJECTION			
TYPE FVM_225S(55kW)_5~20:1_Ntype		REF. No.		(EN973)	
A4(210X297mm) FORM CE-14-0100-444 2013.11.20				A	

이 도면상에 표시된 정보는 호성중공업(주)의 소유이며 당사의 사전 서면동의 없이 무단사용을 금합니다.