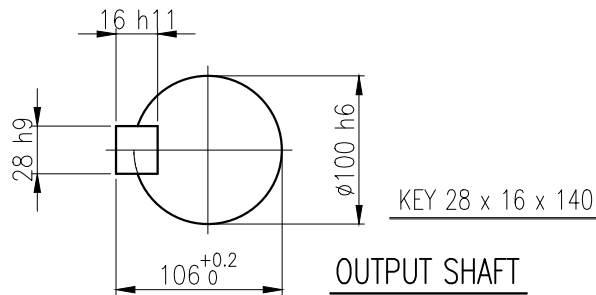
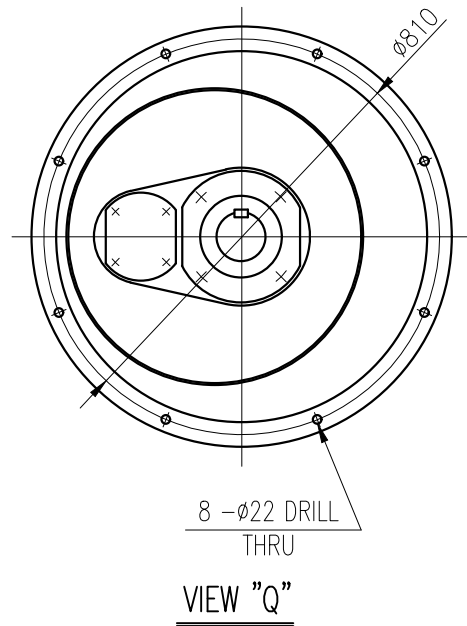
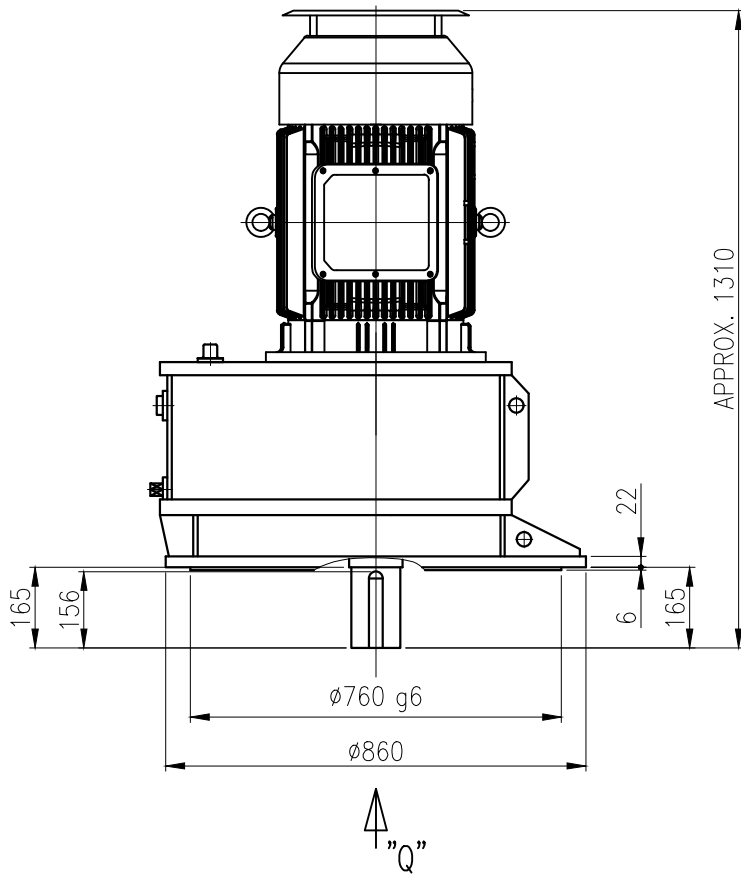


1	2	3	4	5				
No.	NAME	MATERIAL	DWG/MATL No.	CODE	Q'TY	SIZE	WEIGHT	REMARK
					0			



		BEARING		
		INPUT SHAFT	6312ZC3 6315ZZ	
OIL SEAL		2ND PINION	30312 30214	OIL : ISO VG 220
MOTOR SHAFT	D(M) 70 x 95 x 13	3RD PINION	-	ABOUT 56 l
OUTPUT SHAFT	D(M) 110 x 140 x 14	OUTPUT SHAFT	30217 30222	WEIGHT 939 kg

		DWG NAME		외형도 OUTLINE DIMENSION			
		DWG No.		EK2DO07222W0001		UNIT	mm
						SCALE	1:1
No.	DATE	DESCRIPTION of REVISION		DESIGNED	CHECKED	REVIEWED	APPROVED
				2018.10.01	2018.10.01	2018.10.01	2018.10.01
				최성민	문병선	박희성	홍원철
						DATE	2018-08-15
						REVISION No.	01
						THIRD ANGLE PROJECTION	
				REF. No.	(EN969)		(A)

The information written in this drawing is HYOSUNG HEAVY INDUSTRIES's property, and may not be disclosed and/or reproduced without the prior official permission of HYOSUNG HEAVY INDUSTRIES Corp.

이 도면상에 표시된 정보는 호성중공업(주)의 소유이며 당사의 사전 서면동의 없이 무단사용을 금합니다.