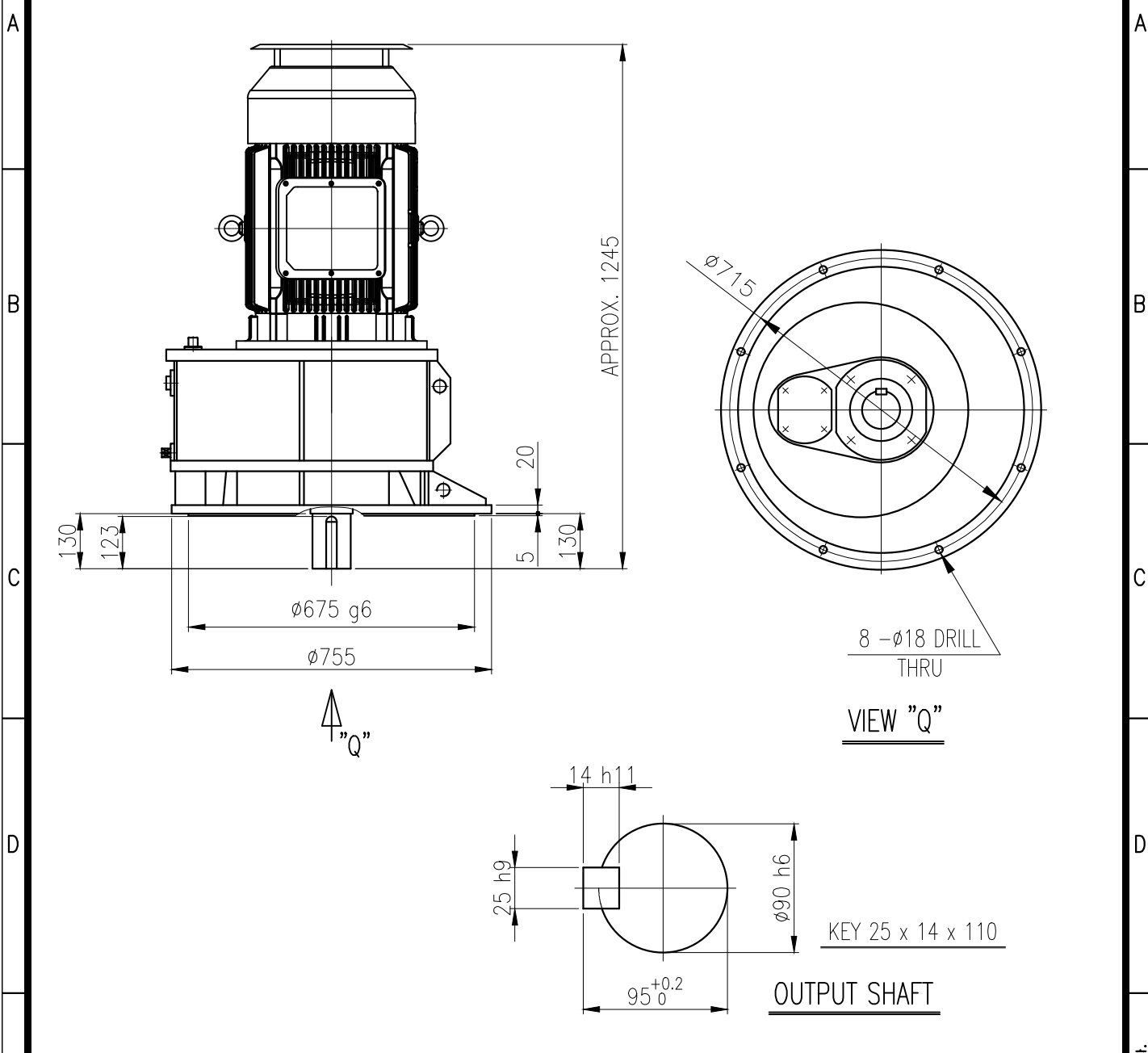


1	2	3	4	5				
No.	NAME	MATERIAL	DWG/MATL No.	CODE	Q'TY	SIZE	WEIGHT	REMARK
					0			



		BEARING			
		INPUT SHAFT	6310ZZ	6313ZZ	
OIL SEAL		2ND PINION	30310	30212	OIL : ISO VG 220
MOTOR SHAFT	D(M) 55 x 78 x 12	3RD PINION	-	-	ABOUT 41 l
OUTPUT SHAFT	D(M) 95 x 120 x 13	OUTPUT SHAFT	30214	30219	WEIGHT 804 kg

		외형도 OUTLINE DIMENSION				DWG NAME	
		EYK2DO07220W0001				UNIT	mm
						SCALE	1:1
No.	DATE	DESIGNER		CHECKED	REVIEWED	APPROVED	DATE
		최성민		문병선	박희성	홍원철	2018-08-15
DESCRIPTION of REVISION		DESIGNED		THIRD ANGLE PROJECTION		REVISION No. 01	
HYOSUNG HEAVY INDUSTRIES		2018.10.01					
TYPE FVM_200L(37kW)_5~20:1_Ntype		2018.10.01					
		REF. No.		(EN967)		A	

The information written in this drawing is HYOSUNG HEAVY INDUSTRIES's property, and may not be disclosed and/or reproduced without the prior official permission of HYOSUNG HEAVY INDUSTRIES Corp.

이 도면상에 표시된 정보는 호성중공업(주)의 소유이며 당사의 사전 서면동의 없이 무단사용을 금합니다.