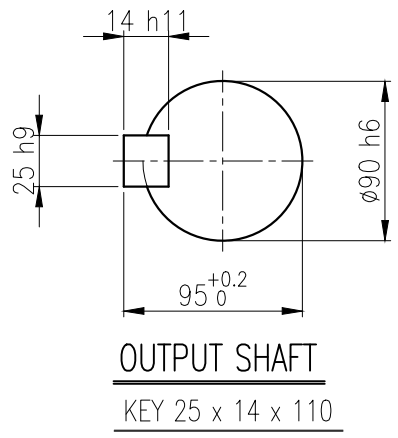
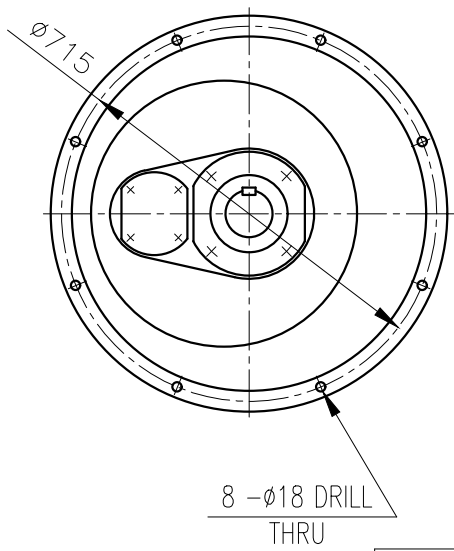
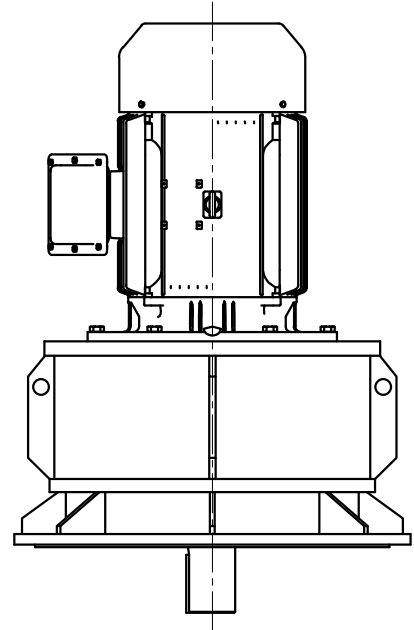
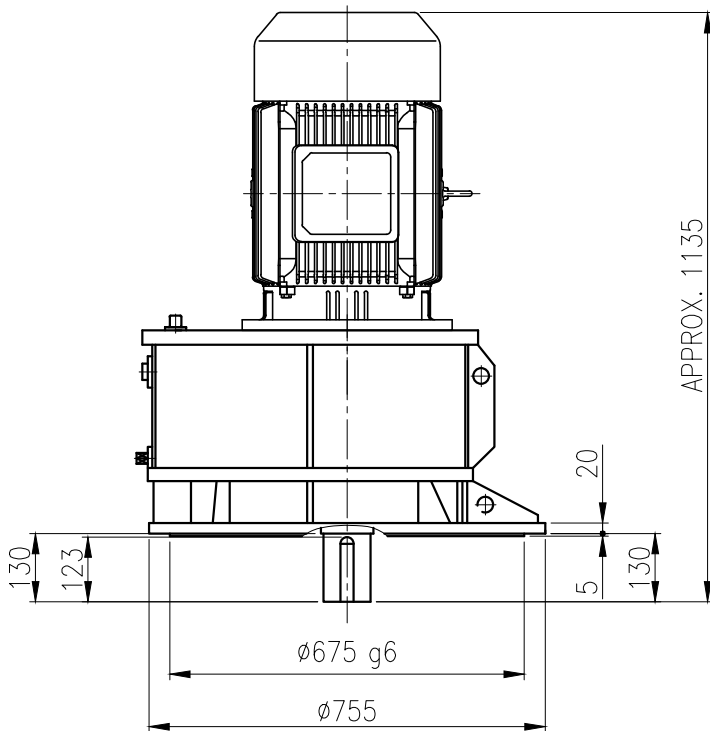


1	2	3	4	5				
No.	NAME	MATERIAL	DWG/MATL No.	CODE	Q'TY	SIZE	WEIGHT	REMARK
					0			

A
B
C
D
E
F

A
B
C
D
E
F



		BEARING			
		INPUT SHAFT	6310ZZ	6311ZZ	
OIL SEAL		2ND PINION	30310	30212	OIL : ISO VG 220
MOTOR SHAFT	D(M) 55 x 78 x 12	3RD PINION	-	-	ABOUT 41 l
OUTPUT SHAFT	D(M) 95 x 120 x 13	OUTPUT SHAFT	30214	30219	WEIGHT 730 kg

		DWG NAME 외형도 OUTLINE DIMENSION			
		DWG No. EK2DO07218H0001		UNIT mm	
				SCALE 1:1	
No.	DATE	DESIGNED	CHECKED	REVIEWED	APPROVED
		2018.10.01 최성민	2018.10.01 문병선	2018.10.01 박희성	2018.10.01 홍원철
DESCRIPTION of REVISION		DATE	2018-08-15		
TYPE FVM_180L(30kW)_5~20:1_Ntype		REVISION No.	01		
REF. No.		(EN965)			THIRD ANGLE PROJECTION
A4(210X297mm) FORM CE-14-0100-444 2013.11.20					(A)

The information written in this drawing is HYOSUNG HEAVY INDUSTRIES's property, and may not be disclosed and/or reproduced without the prior official permission of HYOSUNG HEAVY INDUSTRIES Corp.

이 도면상에 표시된 정보는 호성중공업(주)의 소유이며 당사의 사전 서면동의 없이 무단사용을 금합니다.