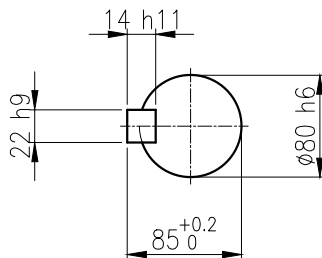
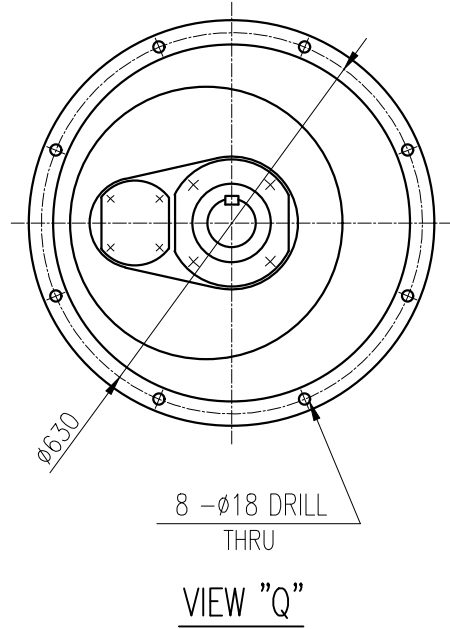
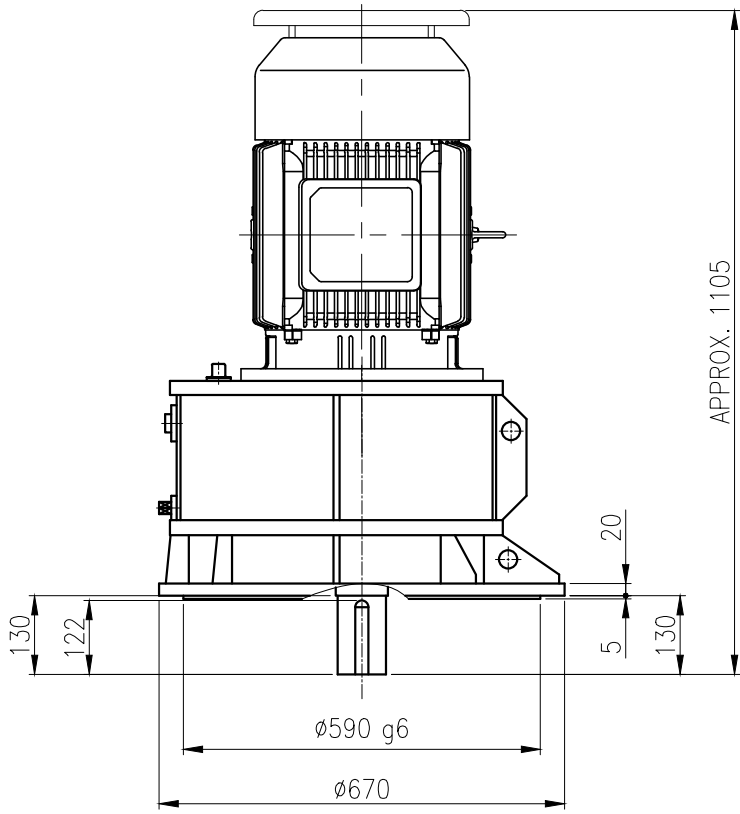


1	2	3	4	5				
No.	NAME	MATERIAL	DWG/MATL No.	CODE	Q'TY	SIZE	WEIGHT	REMARK
					0			



KEY 22 x 14 x 110

OUTPUT SHAFT

			BEARING		
			INPUT SHAFT	6310ZZ 6311ZZ	
		OIL SEAL	2ND PINION	30308 30210	OIL : ISO VG 220
	MOTOR SHAFT	D(M) 50 x 72 x 12	3RD PINION	- -	ABOUT 27 l
	OUTPUT SHAFT	D(M) 85 x 110 x 13	OUTPUT SHAFT	30213 30217	WEIGHT 502 kg

		DWG NAME		외형도 OUTLINE DIMENSION			
		DWG No.		EK2DO07216W0001		UNIT	mm
						SCALE	1:1
No.	DATE	DESCRIPTION of REVISION		DESIGNED	CHECKED	REVIEWED	APPROVED
				2018.10.01	2018.10.01	2018.10.01	2018.10.01
				최성민	문병선	박희성	홍원철
						DATE	2018-08-15
						REVISION No.	01
						THIRD ANGLE PROJECTION	
				REF. No.	(EN963)		(A)

TYPE FVM_180M(22kW)_5~20:1_Ntype

이 도면상에 표시된 정보는 호성중공업(주)의 소유이며 당사의 사전 서면동의 없이 무단사용을 금합니다.