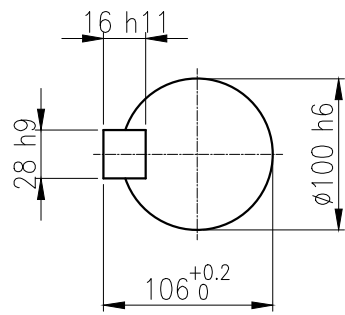
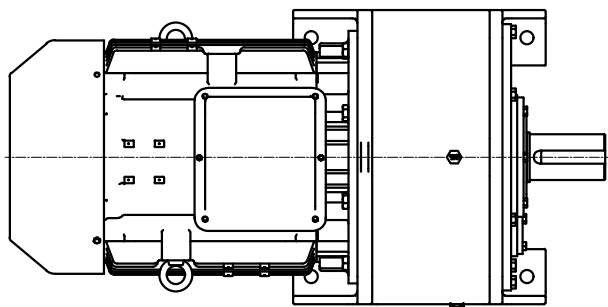
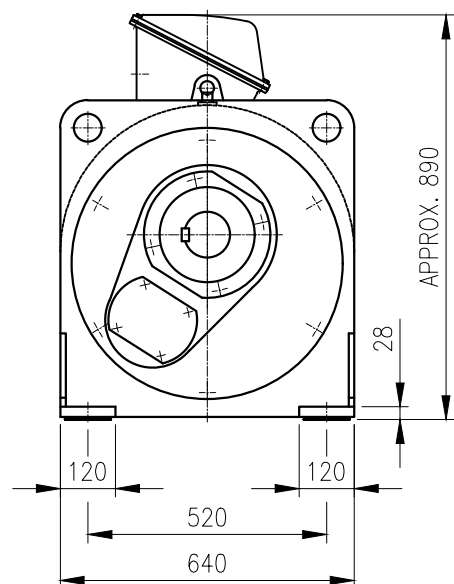
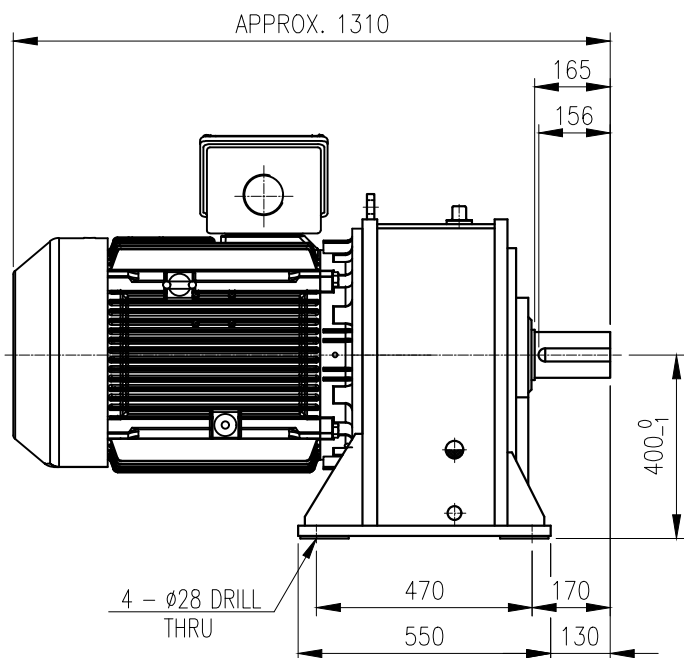


	1	2	3	4	5
No.	NAME	MATERIAL	DWG/MATL No.	CODE	Q'TY
					0
				SIZE	WEIGHT
					REMARK



OUTPUT SHAFT  
KEY 28 x 16 x 140



		BEARING		
		INPUT SHAFT	6313C3 6316C3	
	OIL SEAL	2ND PINION	30312 30214	OIL : ISO VG 220
	MOTOR SHAFT D(M) 80 x 105 x 13	3RD PINION	- -	ABOUT 22 l
	OUTPUT SHAFT D(M) 110 x 140 x 14	OUTPUT SHAFT	30217 30222	WEIGHT 810 kg

		DWG NAME 외형도 OUTLINE DIMENSION			
		DWG No. <b>EK2DO07212H0008</b>		UNIT mm	
				SCALE 1:1	
No.	DATE	DESIGNED	CHECKED	REVIEWED	APPROVED
		2018.10.01	2018.10.01	2018.10.01	2018.10.01
		최성민	문병선	박희성	홍원철
DESCRIPTION of REVISION		DATE	2018-08-15		
		REVISION No.	01		
		THIRD ANGLE PROJECTION			
TYPE FHM_250S(75kW)_5~20:1_Ntype		REF. No.	(EN955)		(A)

The information written in this drawing is HYOSUNG HEAVY INDUSTRIES's property, and may not be disclosed and/or reproduced without the prior official permission of HYOSUNG HEAVY INDUSTRIES Corp.

이 도면상에 표시된 정보는 호성중공업(주)의 소유이며 당사의 사전 서면동의 없이 무단사용을 금합니다.