

1	2	3	4	5				
No.	NAME	MATERIAL	DWG/MATL No.	CODE	Q'TY	SIZE	WEIGHT	REMARK
					0			

A

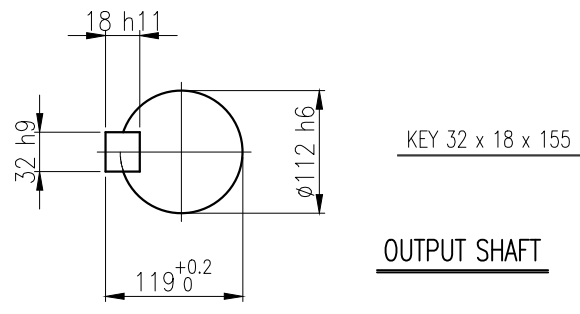
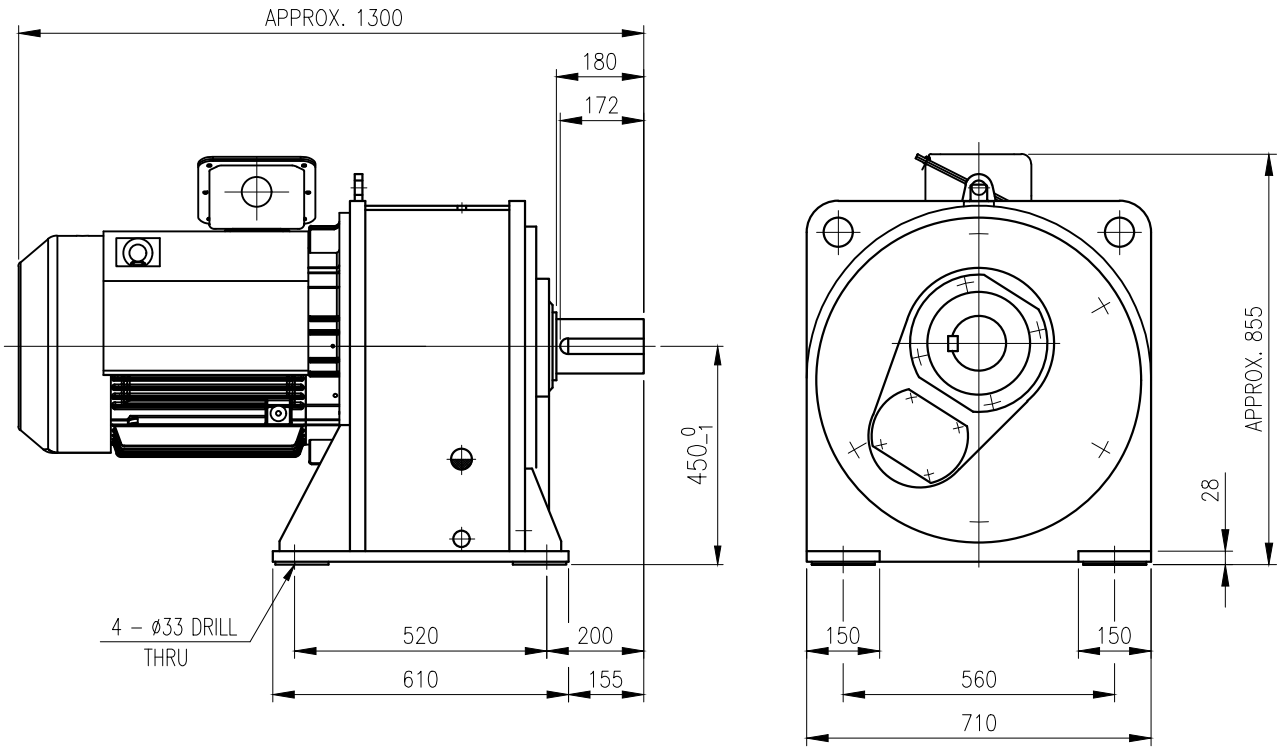
B

C

D

E

F



	BEARING		
	INPUT SHAFT	6312ZC3 6315ZZ	
OIL SEAL	2ND PINION	30313 30215	OIL : ISO VG 220
MOTOR SHAFT	D(M) 70 x 95 x 13	3RD PINION	- - ABOUT 31 l
OUTPUT SHAFT	D(M) 120 x 150 x 14	OUTPUT SHAFT	30220 30224 WEIGHT 1103 kg

DWG NAME		외형도 OUTLINE DIMENSION			
DWG No.		EK2DO07211W0008		UNIT	mm
				SCALE	1:1
No.	DATE	DESIGNED	CHECKED	REVIEWED	APPROVED
		2018.10.01	2018.10.01	2018.10.01	2018.10.01
		최성민	문병선	박희성	홍원철
DESCRIPTION of REVISION		DATE		2018-08-15	
		REVISION No.		01	
		THIRD ANGLE PROJECTION			
TYPE		REF. No.		(EN954)	
FHM_225S(55kW)_25~30:1_Ntype				A	

이 도면상에 표시된 정보는 호성중공업(주)의 소유이며 당사의 사전 서면동의 없이 무단사용을 금합니다.