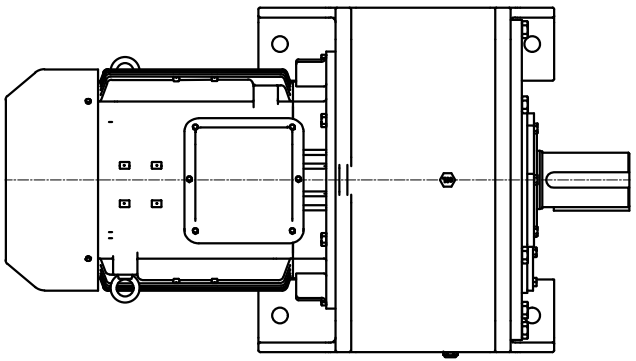
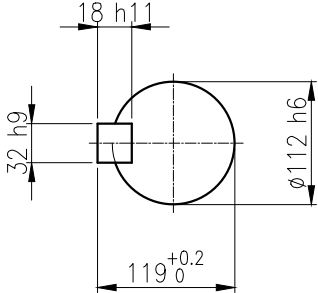
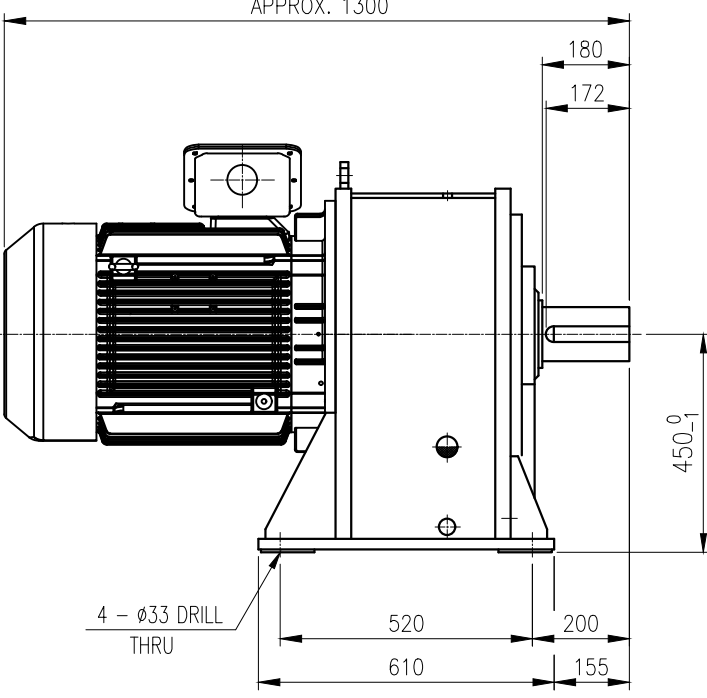
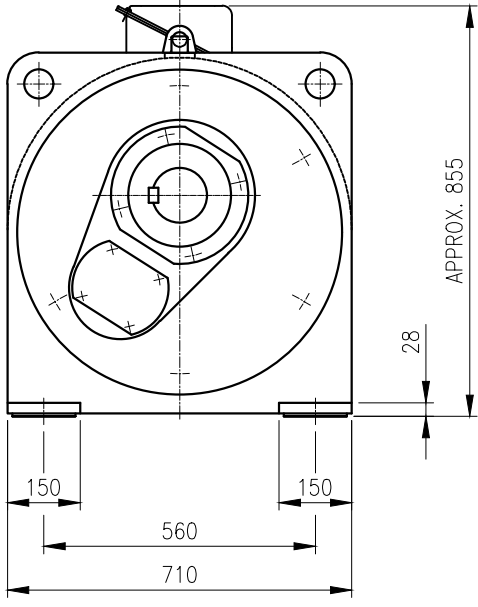



1		2		3		4		5																										
No.	NAME	MATERIAL	DWG/MATL No.	CODE	Q'TY	SIZE	WEIGHT	REMARK																										
					0																													
A																																		
B					<p>OUTPUT SHAFT</p> <p>KEY 32 x 18 x 155</p>																													
C																																		
D	<p>4 - ϕ33 DRILL THRU</p>																																	
E			<table border="1"> <thead> <tr> <th colspan="2">BEARING</th> </tr> </thead> <tbody> <tr> <td>INPUT SHAFT</td> <td>6312ZC3 6315ZZ</td> </tr> <tr> <td>2ND PINION</td> <td>30313 30215</td> </tr> <tr> <td>3RD PINION</td> <td>- -</td> </tr> <tr> <td>OUTPUT SHAFT</td> <td>30220 30224</td> </tr> </tbody> </table>		BEARING		INPUT SHAFT	6312ZC3 6315ZZ	2ND PINION	30313 30215	3RD PINION	- -	OUTPUT SHAFT	30220 30224	<table border="1"> <tbody> <tr> <td>OIL SEAL</td> <td>2ND PINION</td> <td>30313 30215</td> <td>OIL : ISO VG 220</td> </tr> <tr> <td>MOTOR SHAFT</td> <td>D(M) 70 x 95 x 13</td> <td>3RD PINION</td> <td>- -</td> </tr> <tr> <td>OUTPUT SHAFT</td> <td>D(M) 120 x 150 x 14</td> <td>OUTPUT SHAFT</td> <td>30220 30224</td> </tr> <tr> <td></td> <td></td> <td></td> <td>WEIGHT 1103 kg</td> </tr> </tbody> </table>		OIL SEAL	2ND PINION	30313 30215	OIL : ISO VG 220	MOTOR SHAFT	D(M) 70 x 95 x 13	3RD PINION	- -	OUTPUT SHAFT	D(M) 120 x 150 x 14	OUTPUT SHAFT	30220 30224				WEIGHT 1103 kg		
BEARING																																		
INPUT SHAFT	6312ZC3 6315ZZ																																	
2ND PINION	30313 30215																																	
3RD PINION	- -																																	
OUTPUT SHAFT	30220 30224																																	
OIL SEAL	2ND PINION	30313 30215	OIL : ISO VG 220																															
MOTOR SHAFT	D(M) 70 x 95 x 13	3RD PINION	- -																															
OUTPUT SHAFT	D(M) 120 x 150 x 14	OUTPUT SHAFT	30220 30224																															
			WEIGHT 1103 kg																															
F			<table border="1"> <thead> <tr> <th colspan="2">DWG NAME</th> </tr> </thead> <tbody> <tr> <td colspan="2">외형도 OUTLINE DIMENSION</td> </tr> <tr> <th>DWG No.</th> <td>EK2DO07211H0008</td> </tr> <tr> <th>UNIT</th> <td>mm</td> </tr> <tr> <th>SCALE</th> <td>1:1</td> </tr> </tbody> </table>		DWG NAME		외형도 OUTLINE DIMENSION		DWG No.	EK2DO07211H0008	UNIT	mm	SCALE	1:1																				
DWG NAME																																		
외형도 OUTLINE DIMENSION																																		
DWG No.	EK2DO07211H0008																																	
UNIT	mm																																	
SCALE	1:1																																	
	No.	DATE	DESCRIPTION of REVISION		DESIGNED	CHECKED	REVIEWED	APPROVED	DATE	2018-08-15																								
	A4(210X297mm)	FORM CE-14-0100-444 2013.11.20			2018.10.01 최성민	2018.10.01 문병선	2018.10.01 박희성	2018.10.01 홍원철	REVISION No.	01																								
			TYPE FHM_225S(55kW)_25~30:1_Ntype		REF. No.	(EN954)		THIRD ANGLE PROJECTION																										
									A																									

이 도면상에 표시된 정보는 호성중공업(주)의 소유이며 당사의 사전 서면동의 없이 무단사용을 금합니다.