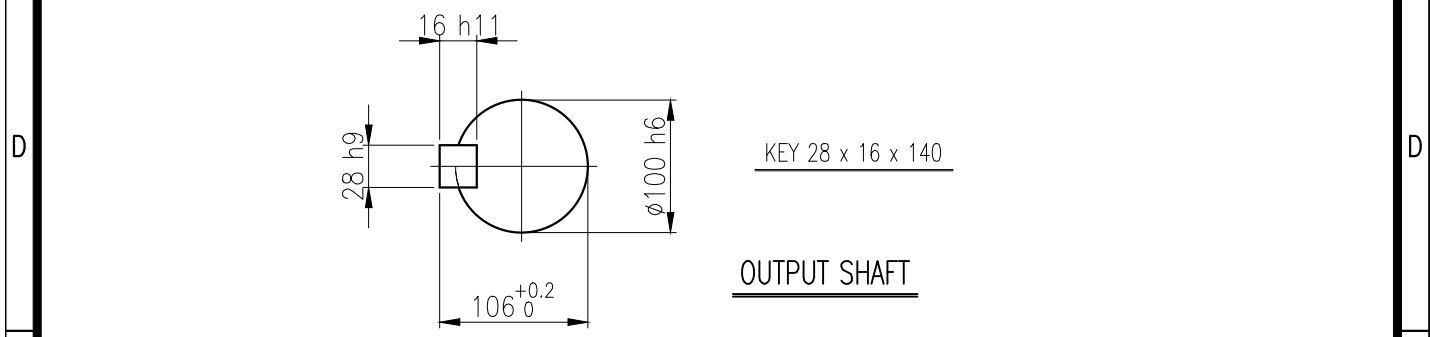
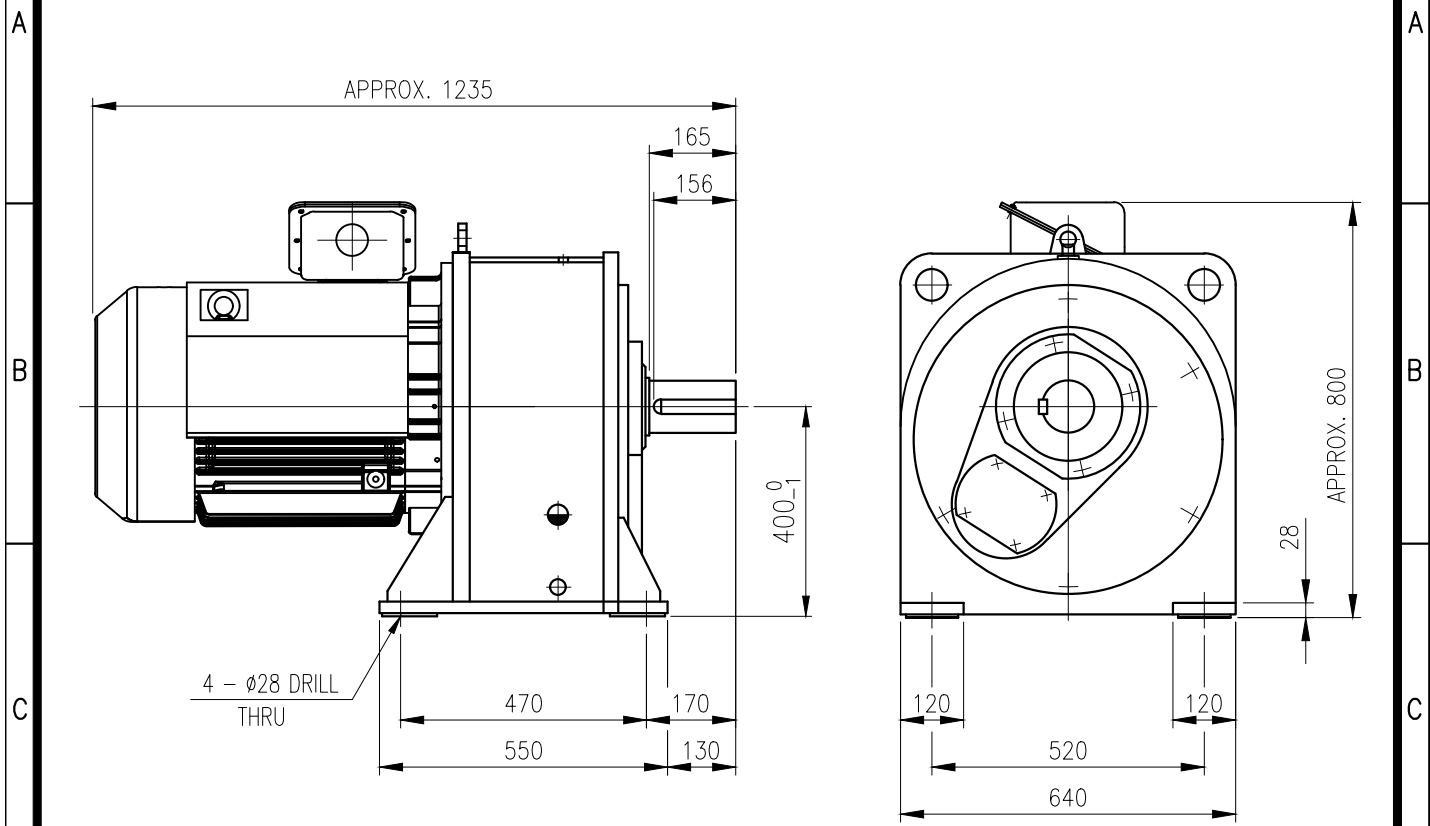


1	2	3	4	5				
No.	NAME	MATERIAL	DWG/MATL No.	CODE	Q'TY	SIZE	WEIGHT	REMARK
					0			



		BEARING		
		INPUT SHAFT	6312ZC3 6315ZZ	
	OIL SEAL	2ND PINION	30312 30214	OIL : ISO VG 220
	MOTOR SHAFT D(M) 70 x 95 x 13	3RD PINION	- -	ABOUT 22 l
	OUTPUT SHAFT D(M) 110 x 140 x 14	OUTPUT SHAFT	30217 30222	WEIGHT 835 kg

		DWG NAME		외형도 OUTLINE DIMENSION	
		DWG No.		E K 2 D O 0 7 2 1 0 W 0 0 0 8	
		UNIT		mm	
		SCALE		1:1	
No.	DATE	DESIGNED	CHECKED	REVIEWED	APPROVED
		2018.10.01	2018.10.01	2018.10.01	2018.10.01
		최성민	문병선	박희성	홍원철
DESCRIPTION of REVISION		DATE	2018-08-15		
		REVISION No.	01		
		THIRD ANGLE PROJECTION			
TYPE		REF. No.	(EN953)		
A4(210X297mm) FORM CE-14-0100-444 2013.11.20		HYOSUNG HEAVY INDUSTRIES		A	
FHM_225S(55kW)_5~20:1_Ntype					

The information written in this drawing is HYOSUNG HEAVY INDUSTRIES's property, and may not be disclosed and/or reproduced without the prior official permission of HYOSUNG HEAVY INDUSTRIES Corp.

이 도면상에 표시된 정보는 호성중공업(주)의 소유이며 당사의 사전 서면동의 없이 무단사용을 금합니다.