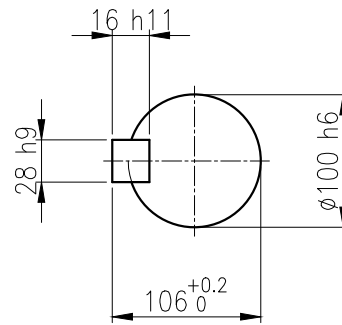
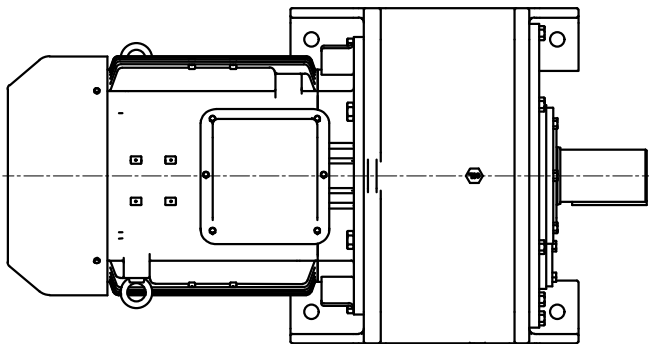
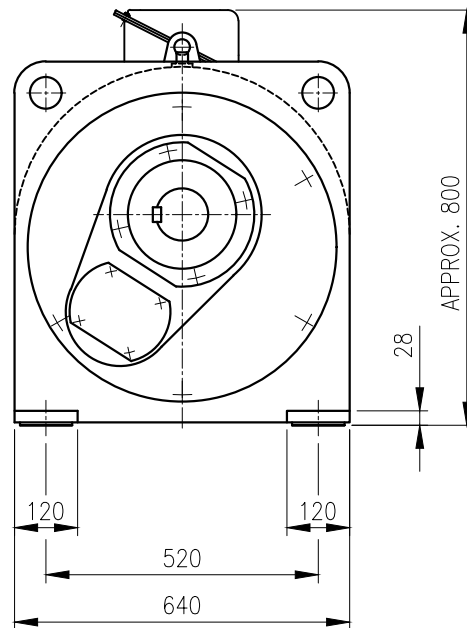
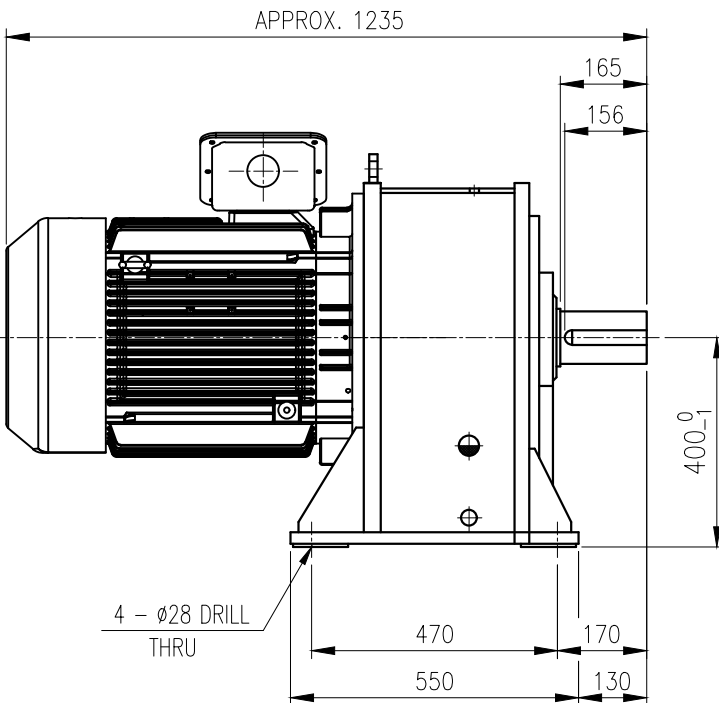


1	2	3	4	5				
No.	NAME	MATERIAL	DWG/MATL No.	CODE	Q'TY	SIZE	WEIGHT	REMARK
					0			



OUTPUT SHAFT

KEY 28 x 16 x 140



			BEARING		
			INPUT SHAFT	6312ZC3 6315ZZ	
	OIL SEAL		2ND PINION	30312 30214	OIL : ISO VG 220
	MOTOR SHAFT	D(M) 70 x 95 x 13	3RD PINION	-	ABOUT 22 l
	OUTPUT SHAFT	D(M) 110 x 140 x 14	OUTPUT SHAFT	30217 30222	WEIGHT 835 kg

		DWG NAME		외형도 OUTLINE DIMENSION			
		DWG No.		EK2DO07210H0008		UNIT	mm
						SCALE	1:1
No.	DATE	DESCRIPTION of REVISION		DESIGNED	CHECKED	REVIEWED	APPROVED
				2018.10.01	2018.10.01	2018.10.01	2018.10.01
				최성민	문병선	박희성	홍원철
						DATE	2018-08-15
						REVISION No.	01
						THIRD ANGLE PROJECTION	
		TYPE		REF. No.		(EN953)	
		FHM_225S(55kW)_5~20:1_Ntype				A	

이 도면상에 표시된 정보는 호성중공업(주)의 소유이며 당사의 사전 서면동의 없이 무단사용을 금합니다.