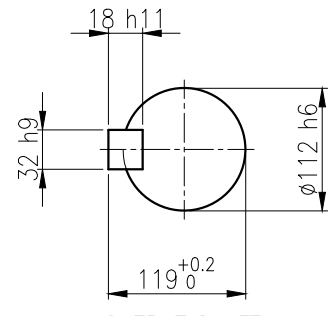
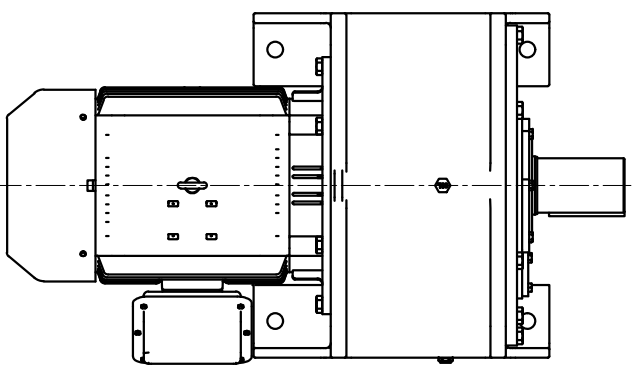
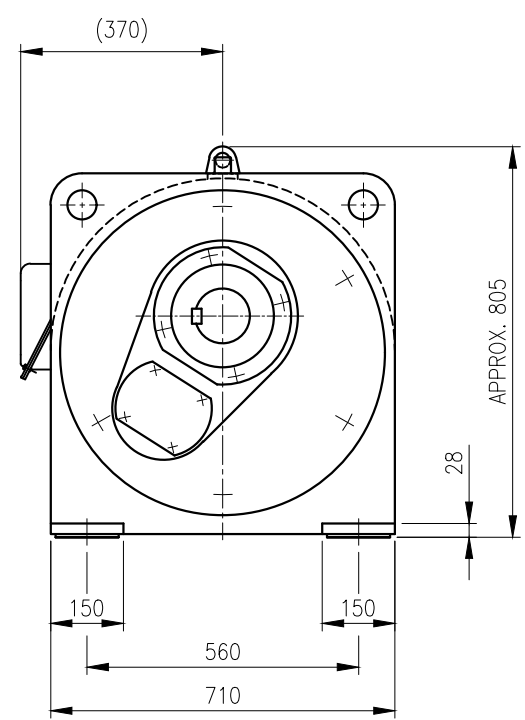
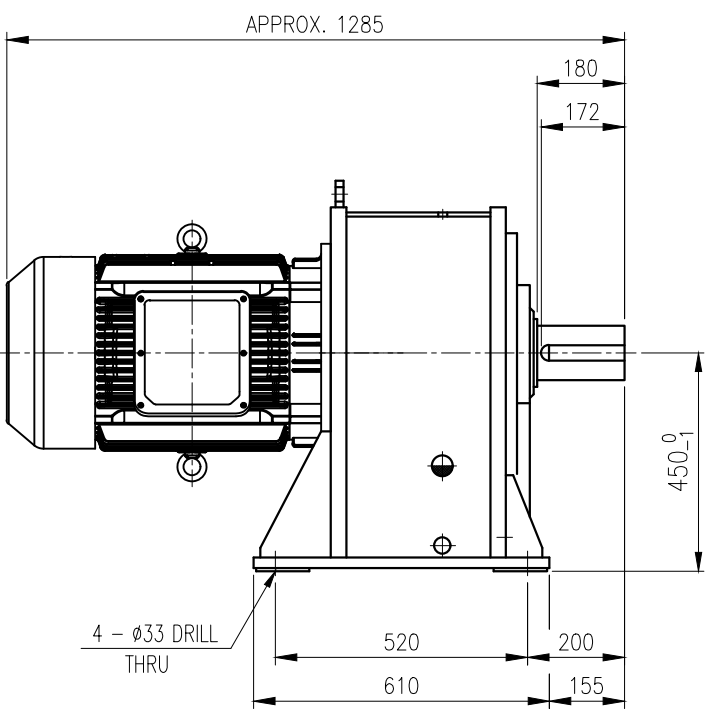


1	2	3	4	5				
No.	NAME	MATERIAL	DWG/MATL No.	CODE	Q'TY	SIZE	WEIGHT	REMARK
					0			



OUTPUT SHAFT
KEY 32 x 18 x 155



			BEARING		
			INPUT SHAFT	6312ZC3 6315ZZ	
OIL SEAL			2ND PINION	30313 30215	OIL : ISO VG 220
MOTOR SHAFT	D(M) 70 x 95 x 13		3RD PINION	-	ABOUT 31 l
OUTPUT SHAFT	D(M) 120 x 150 x 14		OUTPUT SHAFT	30220 30224	WEIGHT 1045 kg

		DWG NAME 외형도 OUTLINE DIMENSION							
		DWG No. EK2DO07209H0001		UNIT mm					
				SCALE 1:1					
No.	DATE	DESCRIPTION of REVISION		DESIGNED	CHECKED	REVIEWED	APPROVED	DATE	2018-08-15
A4(210X297mm)	FORM CE-14-0100-444 2013.11.20			2018.10.01 최성민	2018.10.01 문병선	2018.10.01 박희성	2018.10.01 홍원철	REVISION No.	01
TYPE				FHM_200L(45kW)_25~30:1_Ntype		THIRD ANGLE PROJECTION			
		REF. No.	(EN950)			(A)			

The information written in this drawing is HYOSUNG HEAVY INDUSTRIES's property, and may not be disclosed and/or reproduced without the prior official permission of HYOSUNG HEAVY INDUSTRIES Corp.

이 도면상에 표시된 정보는 호성중공업(주)의 소유이며 당사의 사전 서면동의 없이 무단사용을 금합니다.