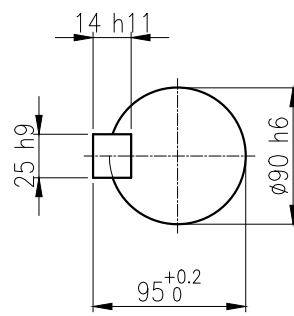
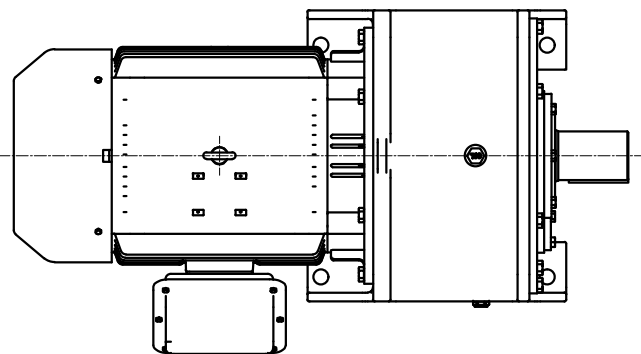
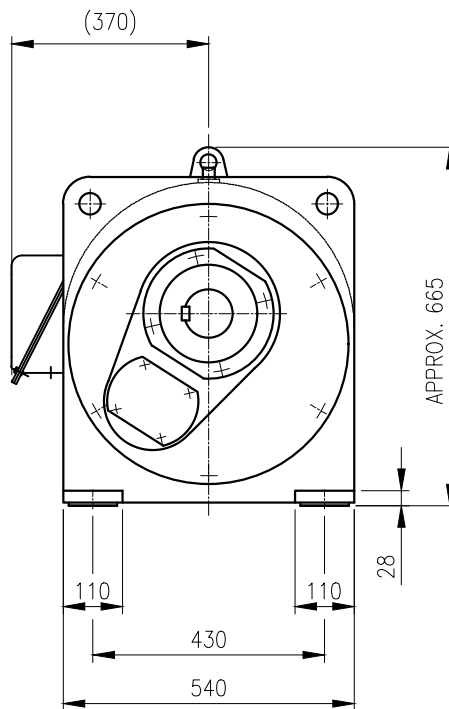
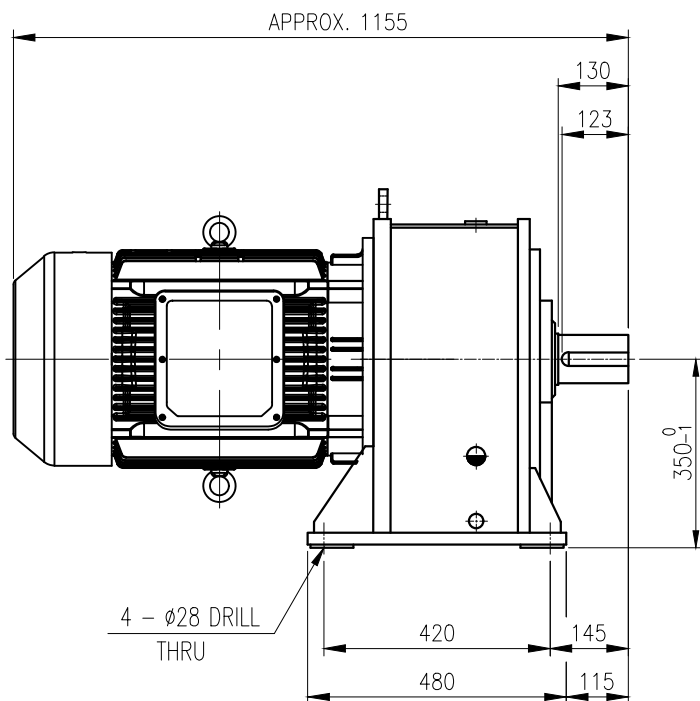


1	2	3	4	5
No.	NAME	MATERIAL	DWG/MATL No.	CODE Q'TY
				0
			SIZE	WEIGHT
				REMARK



OUTPUT SHAFT

KEY 25 x 14 x 110



	BEARING	
	INPUT SHAFT	6310ZZ 6313ZZ
OIL SEAL	2ND PINION	30310 30212
MOTOR SHAFT	3RD PINION	- -
OUTPUT SHAFT	OUTPUT SHAFT	30214 30219

OIL : ISO VG 220
ABOUT 15 l
WEIGHT 730 kg

DWG NAME		외형도 OUTLINE DIMENSION			
DWG No.		EK2DO07206H0001		UNIT	mm
				SCALE	1:1
No.	DATE	DESIGNED	CHECKED	REVIEWED	APPROVED
		2018.10.01	2018.10.01	2018.10.01	2018.10.01
		최성민	문병선	박희성	홍원철
DESCRIPTION of REVISION		DATE	2018-08-15		
		REVISION No.	01		
		THIRD ANGLE PROJECTION			
TYPE		REF. No.	(EN947)		
		(A)			



FORM
CE-14-0100-444
2013.11.20

FHM_200L(37kW)_5~20:1_Ntype

이 도면상에 표시된 정보는 호성중공업(주)의 소유이며 당사의 사전 서면동의 없이 무단사용을 금합니다.