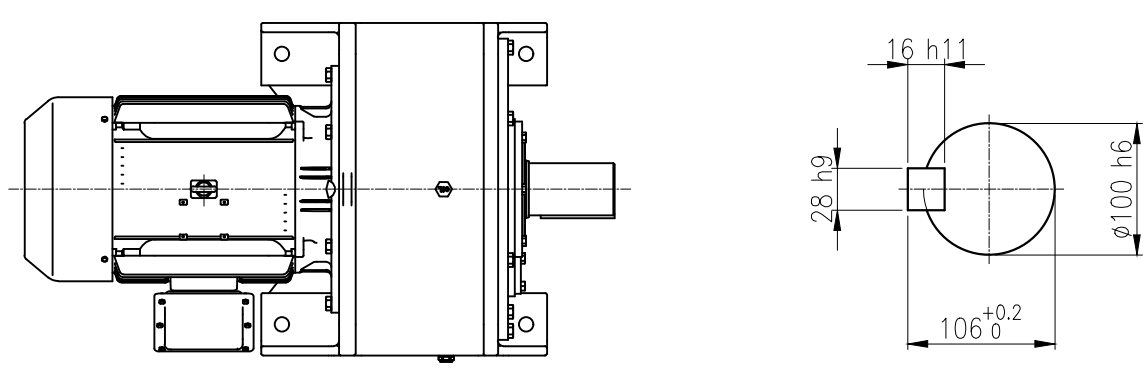
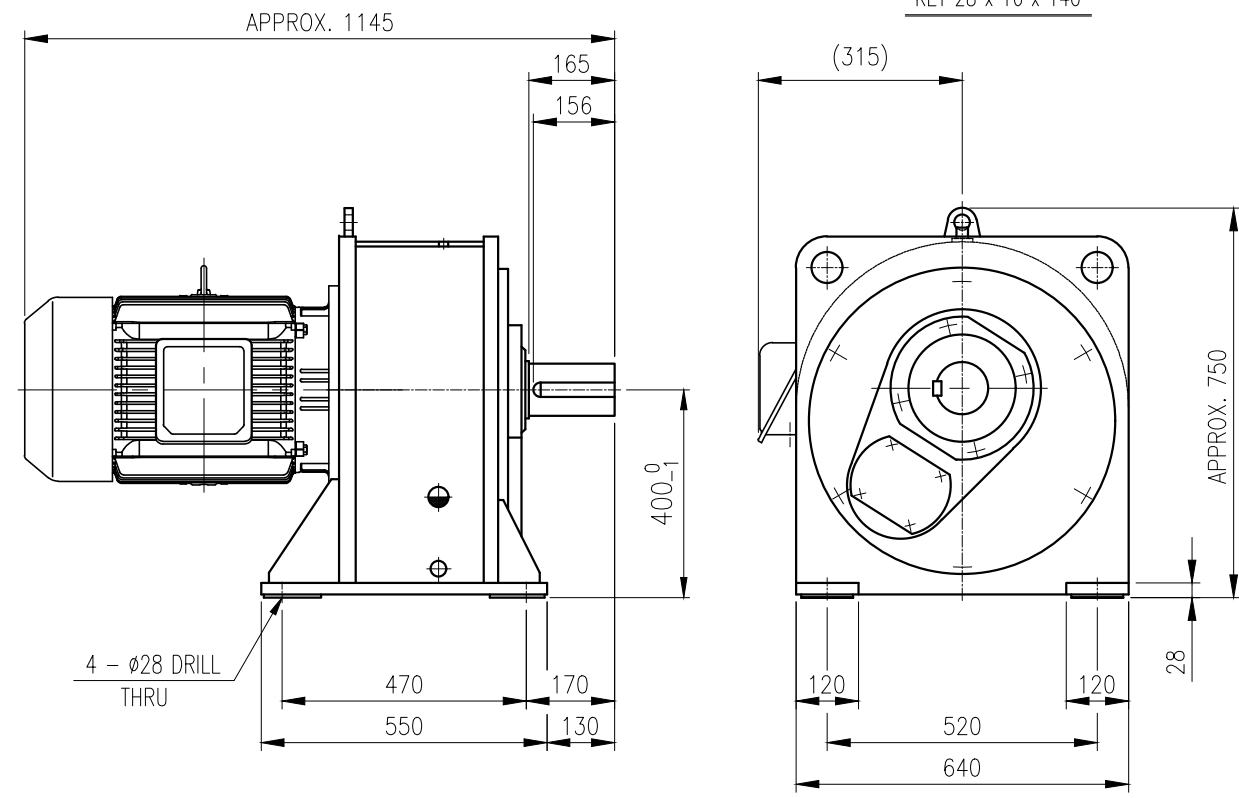


1	2	3	4	5				
No.	NAME	MATERIAL	DWG/MATL No.	CODE	Q'TY	SIZE	WEIGHT	REMARK
					0			



OUTPUT SHAFT
KEY 28 x 16 x 140



4 - $\phi 28$ DRILL THRU

		BEARING			
		INPUT SHAFT	6310ZZ 6311ZZ		
OIL SEAL		2ND PINION	30311 30213	OIL : ISO VG 220	
MOTOR SHAFT	D(M) 55 x 78 x 12	3RD PINION	-	ABOUT 22 l	
OUTPUT SHAFT	D(M) 110 x 140 x 14	OUTPUT SHAFT	30217 30222	WEIGHT	821 kg

DWG NAME 외형도
OUTLINE DIMENSION

DWG No. **EK2DO07205H0001** UNIT mm
SCALE 1:1

No.	DATE	DESIGNED	CHECKED	REVIEWED	APPROVED	DATE	2018-08-15
		2018.10.01 최성민	2018.10.01 문병선	2018.10.01 박희성	2018.10.01 홍원철	REVISION No.	01
THIRD ANGLE PROJECTION							
REF. No.						(EN946)	

FORM
CE-14-0100-444
2013.11.20

HYOSUNG HEAVY INDUSTRIES

TYPE FHM_180L(30kW)_25~30:1_Ntype

The information written in this drawing is HYOSUNG HEAVY INDUSTRIES's property, and may not be disclosed and/or reproduced without the prior official permission of HYOSUNG HEAVY INDUSTRIES Corp.

이 도면상에 표시된 정보는 호성중공업(주)의 소유이며 당사의 사전 서면동의 없이 무단사용을 금합니다.