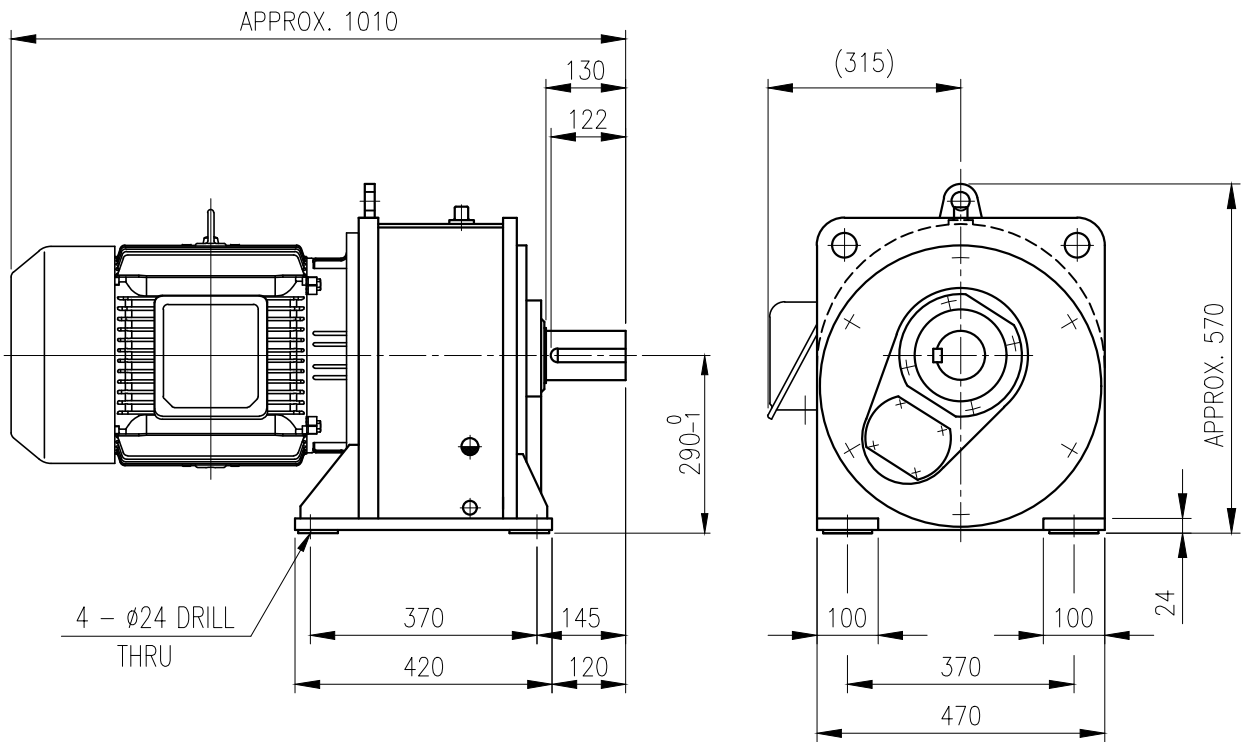
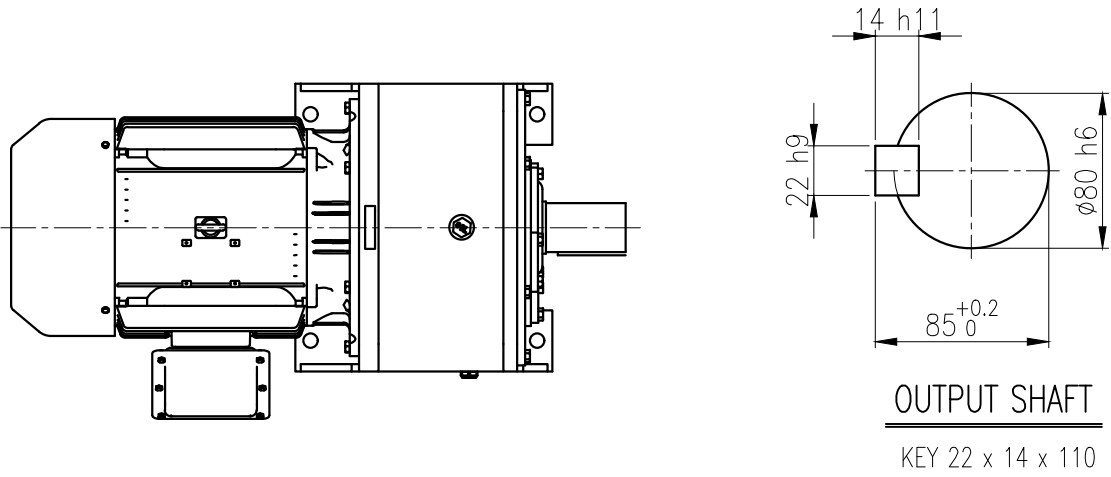


1	2	3	4	5
No.	NAME	MATERIAL	DWG/MATL No.	CODE Q'TY
				0
			SIZE	WEIGHT
				REMARK



			BEARING		
			INPUT SHAFT	6310ZZ 6311ZZ	
		OIL SEAL	2ND PINION	30308 30210	OIL : ISO VG 220
	MOTOR SHAFT	D(M) 50 x 72 x 12	3RD PINION	- -	ABOUT 10 l
	OUTPUT SHAFT	D(M) 85 x 110 x 13	OUTPUT SHAFT	30213 30217	WEIGHT 442 kg

		DWG NAME 외형도 OUTLINE DIMENSION			
		DWG No. EK2DO07202H0001		UNIT mm	
				SCALE 1:1	
No.	DATE	DESCRIPTION of REVISION		DESIGNED	CHECKED
				2018.10.01	2018.10.01
				최성민	문병선
				2018.10.01	2018.10.01
				박희성	홍원철
				DATE	2018-08-15
				REVISION No.	01
				THIRD ANGLE PROJECTION	
		TYPE FHM_180M(22kW)_5~20:1_Ntype		REF. No.	(EN943)
				(A)	

The information written in this drawing is HYOSUNG HEAVY INDUSTRIES's property, and may not be disclosed and/or reproduced without the prior official permission of HYOSUNG HEAVY INDUSTRIES Corp.

이 도면상에 표시된 정보는 호성중공업(주)의 소유이며 당사의 사전 서면동의 없이 무단사용을 금합니다.