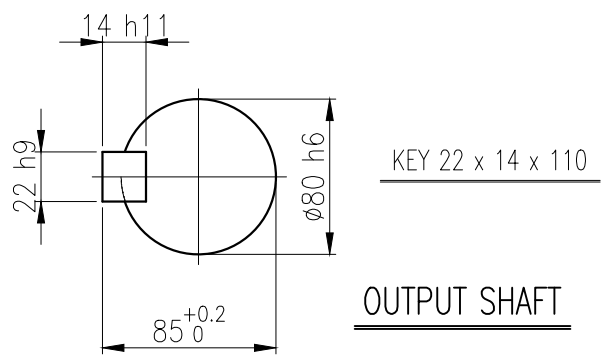
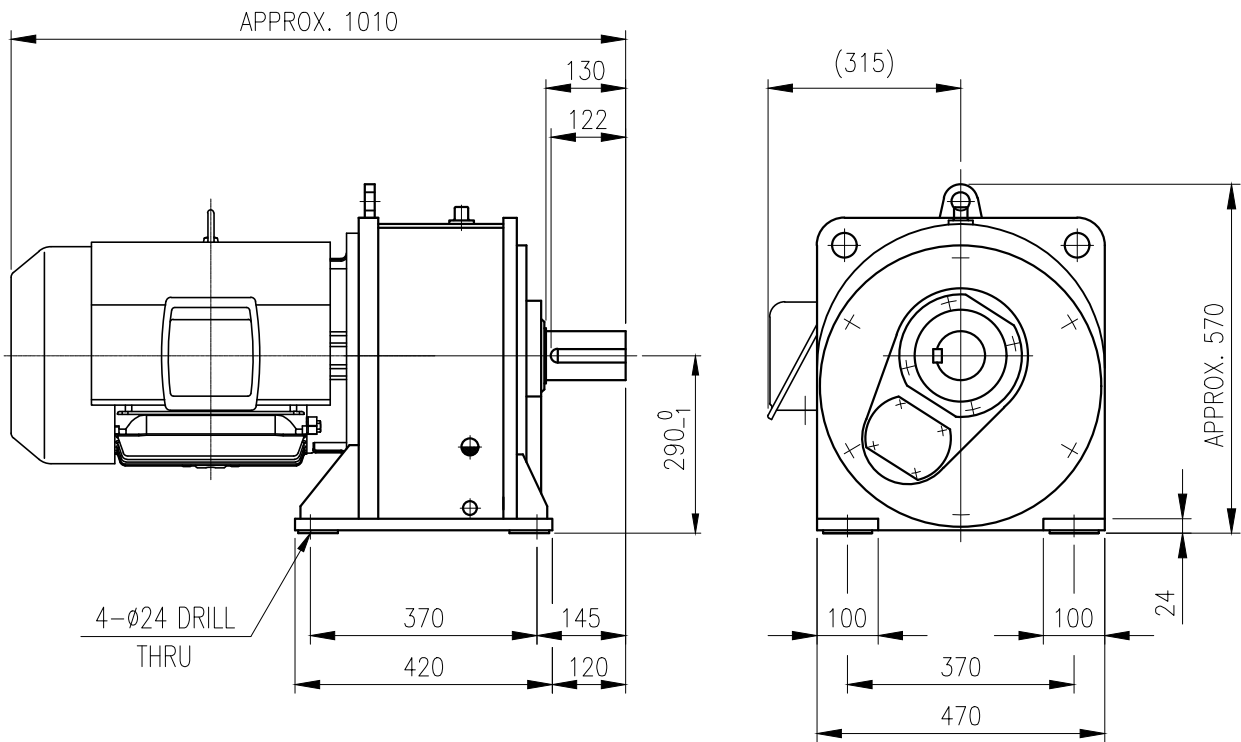


1	2	3	4	5
No.	NAME	MATERIAL	DWG/MATL No.	CODE
				Q'TY
				0
				SIZE
				WEIGHT
				REMARK



		BEARING		
		INPUT SHAFT	6310ZZ 6311ZZ	
OIL SEAL		2ND PINION	30308 30210	OIL : ISO VG 220
MOTOR SHAFT	D(M) 50 x 72 x 12	3RD PINION	- -	ABOUT 10 l
OUTPUT SHAFT	D(M) 85 x 110 x 13	OUTPUT SHAFT	30213 30217	WEIGHT 442 kg

		DWG NAME				외형도 OUTLINE DIMENSION	
		DWG No.		EK2DO07200W0001		UNIT	mm
						SCALE	1:1
No.	DATE	DESCRIPTION of REVISION		DESIGNED	CHECKED	REVIEWED	APPROVED
				2018.10.01	2018.10.01	2018.10.01	2018.10.01
				최성민	문병선	박희성	홍원철
A4(210X297mm)		FORM				DATE	2018-08-15
CE-14-0100-444		2013.11.20				REVISION No.	01
		HYOSUNG HEAVY INDUSTRIES				THIRD ANGLE PROJECTION	
		TYPE		FHM_180M(18.5kW)_5~20:1_Ntype			
		REF. No.		(EN941)		A	

The information written in this drawing is HYOSUNG HEAVY INDUSTRIES's property, and may not be disclosed and/or reproduced without the prior official permission of HYOSUNG HEAVY INDUSTRIES Corp.

이 도면상에 표시된 정보는 호성중공업(주)의 소유이며 당사의 사전 서면동의 없이 무단사용을 금합니다.