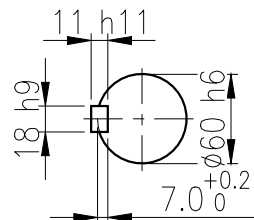
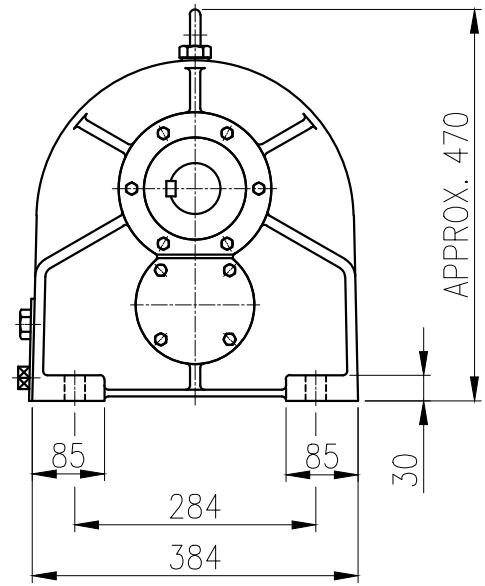
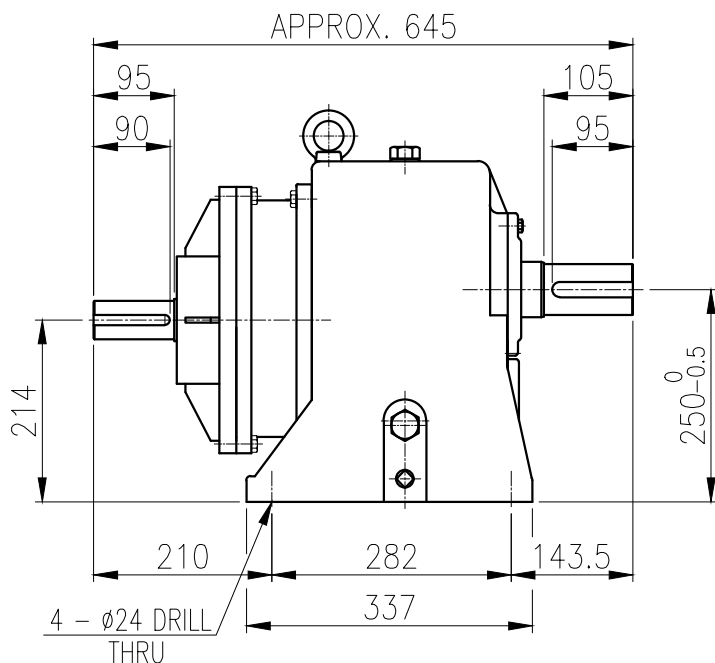


**INPUT SHAFT**  
KEY 14 x 9 x 83



**OUTPUT SHAFT**  
KEY 18 x 11 x 85



		BEARING			
		INPUT SHAFT	6310ZZ	6310ZZ	
OIL SEAL		2ND PINION	30208	30308	OIL : ISO VG 220
MOTOR SHAFT	D(M) 50x 72 x 12	3RD PINION	-	-	ABOUT 9 l
OUTPUT SHAFT	D(M) 65 x 95 x 13	OUTPUT SHAFT	30212	32213	WEIGHT 127 kg

		DWG NAME				외형도 OUTLINE DIMENSION	
		DWG No.				UNIT	mm
		EYK2D007197H0001				SCALE	1:1
No.	DATE	DESCRIPTION of REVISION				DESIGNED	2018-08-15
						CHECKED	2018-08-15
		TYPE FCB_11&15kW_4P_5~20:1_N type				REVIEWED	2018-08-15
		REF. No.				APPROVED	2018-08-15
						DATE	2018-08-15
						REVISION No.	01
						THIRD ANGLE PROJECTION	
						(EN238)	
						(A)	

이 도면상에 표시된 정보는 포항중공업(주)의 소유이며 영사의 사전 서면동의 없이 무단사용을 금합니다.