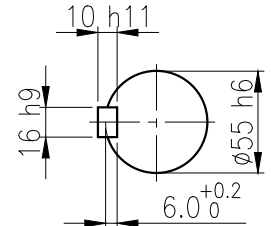
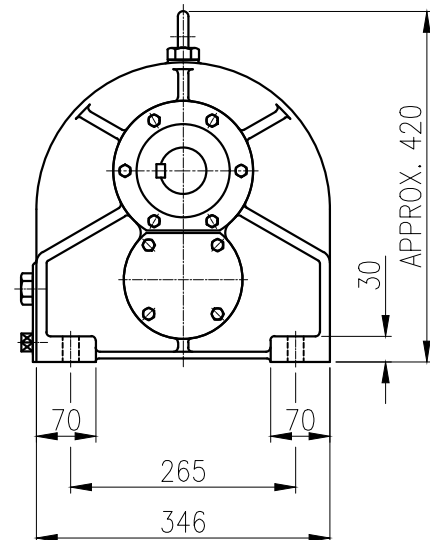
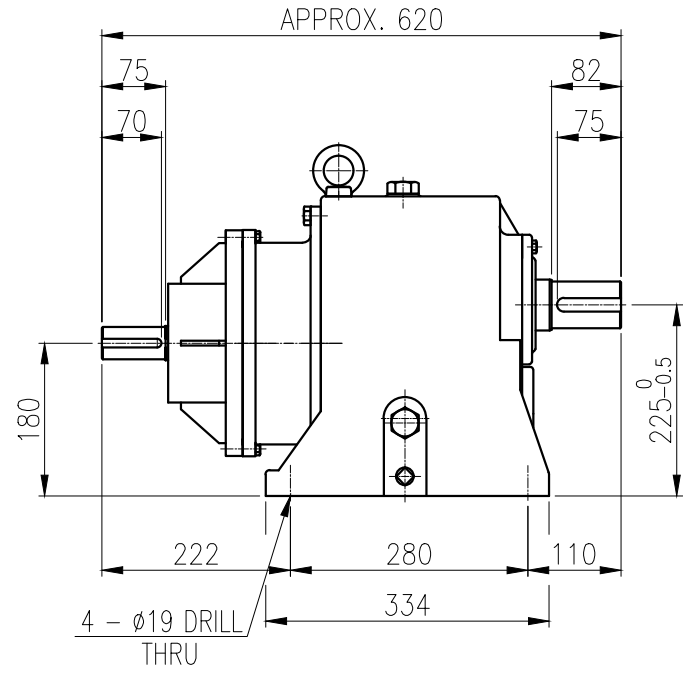


INPUT SHAFT
KEY 10 x 8 x 65



OUTPUT SHAFT
KEY 16 x 10 x 66



		BEARING			
		INPUT SHAFT	6308ZZ	6309ZZ	
OIL SEAL		2ND PINION	30208	30308	OIL : ISO VG 220
MOTOR SHAFT	D(M) 45x 68 x 12	3RD PINION	-	-	ABOUT 7 l
OUTPUT SHAFT	D(M) 60 x 82 x 12	OUTPUT SHAFT	30211	30212	WEIGHT 115 kg

		DWG NAME 외형도 OUTLINE DIMENSION					
		DWG No. EK2D007194H0001				UNIT	mm
						SCALE	1:1
No.	DATE	DESCRIPTION of REVISION				DESIGNED	2018-08-15
						CHECKED	2018-10-01
		TYPE FCB_5.5&7.5kW_4P_25~30:1_N type				REVIEWED	2018-10-01
		REF. No. (EN237)				APPROVED	2018-10-01
						DATE	2018-08-15
						REVISION No.	01
						THIRD ANGLE PROJECTION	

The information written in this drawing is HYOSUNG HEAVY INDUSTRIES's property, and may not be disclosed and/or reproduced without the prior official permission of HYOSUNG HEAVY INDUSTRIES Corp.

이 도면상에 표시된 정보는 표상용(단)의 소유이며 영사의 사전 서면동의 없이 무단사용을 금합니다.