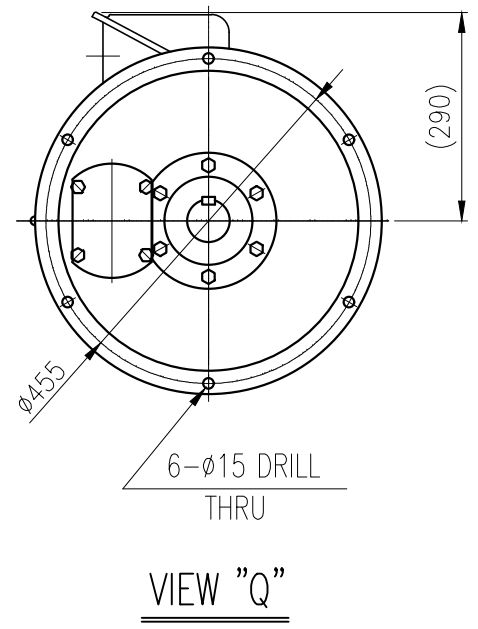
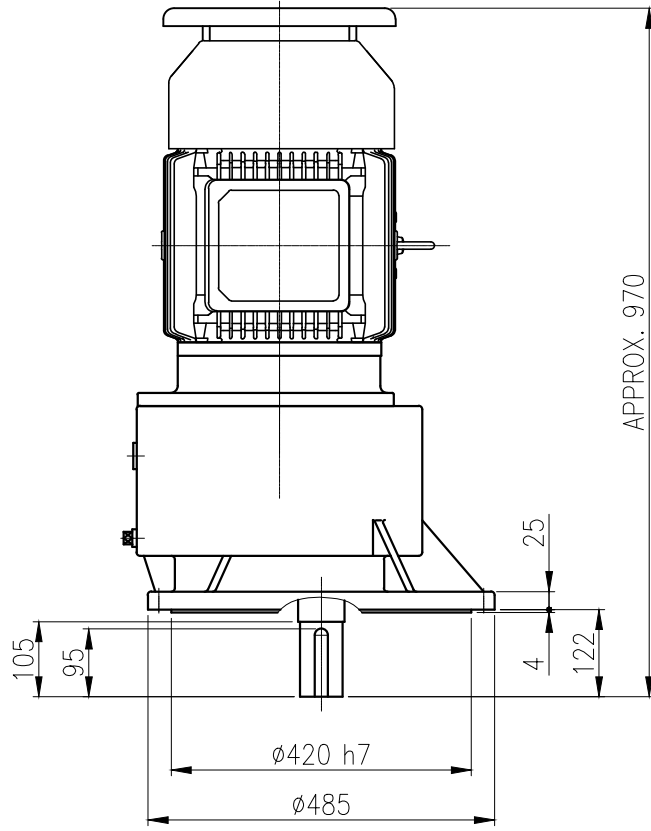
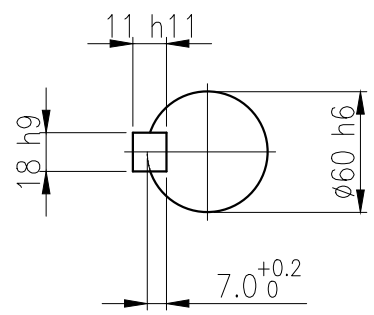


1	2	3	4	5				
No.	NAME	MATERIAL	DWG/MATL No.	CODE	Q'TY	SIZE	WEIGHT	REMARK
					0			



↑  
"Q"



KEY 18 x 11 x 85

OUTPUT SHAFT

			BEARING		
			INPUT SHAFT	6309ZZ 6310ZZ	
	OIL SEAL		2ND PINION	30208 30308	OIL : ISO VG 220
	MOTOR SHAFT	D(M) 50 x 72 x 12	3RD PINION	-	ABOUT 14 l
	OUTPUT SHAFT	D(M) 65 x 95 x 13	OUTPUT SHAFT	30212 30213	WEIGHT 250 kg

		DWG NAME		외형도 OUTLINE DIMENSION			
		DWG No.		EK2DO07191W0001		UNIT	mm
						SCALE	1:1
No.	DATE	DESCRIPTION of REVISION		DESIGNED	CHECKED	REVIEWED	APPROVED
				2018.10.01	2018.10.01	2018.10.01	2018.10.01
				최성민	문병선	박희성	홍원철
						DATE	2018-08-15
						REVISION No.	01
						THIRD ANGLE PROJECTION	
				REF. No.	(EN128)		(A)

TYPE FVB\_160L(15kW)\_5~20:1\_N type

이 도면상에 표시된 정보는 호성중공업(주)의 소유이며 당사의 사전 서면동의 없이 무단사용을 금합니다.