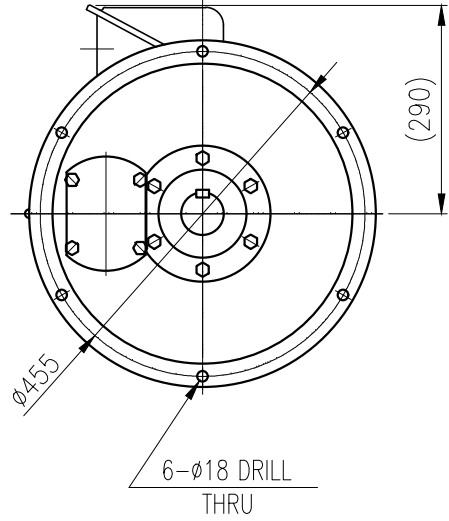
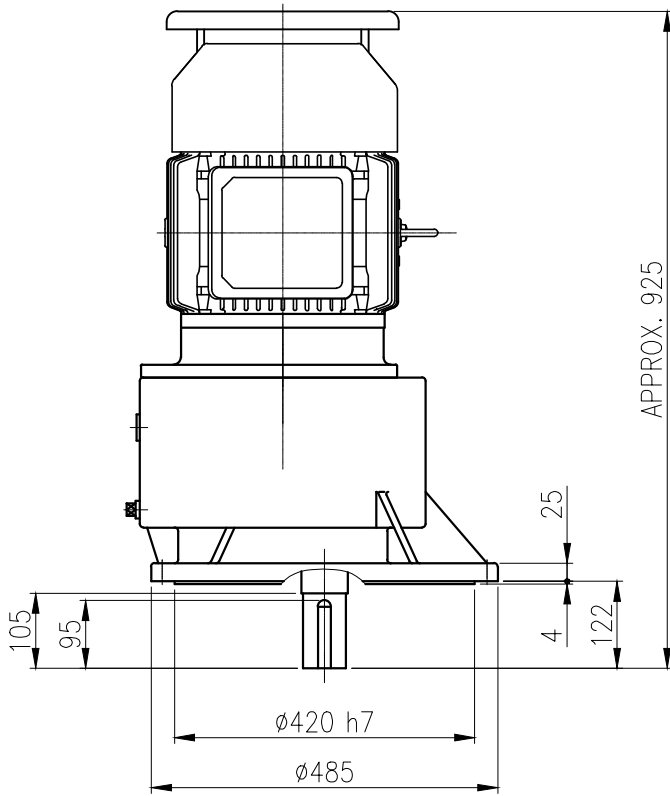
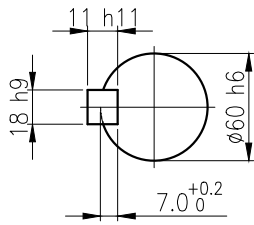


1	2		3		4		5	
No.	NAME	MATERIAL	DWG/MATL No.	CODE	Q'TY	SIZE	WEIGHT	REMARK
					0			



VIEW "Q"



KEY 18 x 11 x 85

OUTPUT SHAFT

		BEARING			
		INPUT SHAFT	6309ZZ	6310ZZ	
OIL SEAL		2ND PINION	30208	30308	OIL : ISO VG 220
MOTOR SHAFT	D(M) 50 x 72 x 12	3RD PINION	-	-	ABOUT 14 l
OUTPUT SHAFT	D(M) 65 x 95 x 13	OUTPUT SHAFT	30212	30213	WEIGHT 242 kg

		외형도 OUTLINE DIMENSION				DWG NAME	
		DWG No. EK2DO07189W0001				UNIT	mm
						SCALE	1:1
No.	DATE	DESCRIPTION of REVISION		DESIGNED	CHECKED	REVIEWED	APPROVED
				2018.10.01	2018.10.01	2018.10.01	2018.10.01
				최성민	문병선	박희성	홍원철
A4(210X297mm)		FORM		DATE			
CE-14-0100-444		2013.11.20		2018-08-15			
		HYOSUNG HEAVY INDUSTRIES		REVISION No. 01			
TYPE		FVB_160M(11kW)_5~20:1_N type		THIRD ANGLE PROJECTION			
		REF. No.		(EN126)			
				(A)			

The information written in this drawing is HYOSUNG HEAVY INDUSTRIES's property, and may not be disclosed and/or reproduced without the prior official permission of HYOSUNG HEAVY INDUSTRIES Corp.

이 도면상에 표시된 정보는 호성중공업(주)의 소유이며 당사의 사전 서면동의 없이 무단사용을 금합니다.