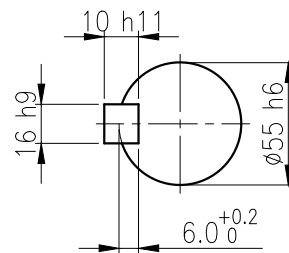
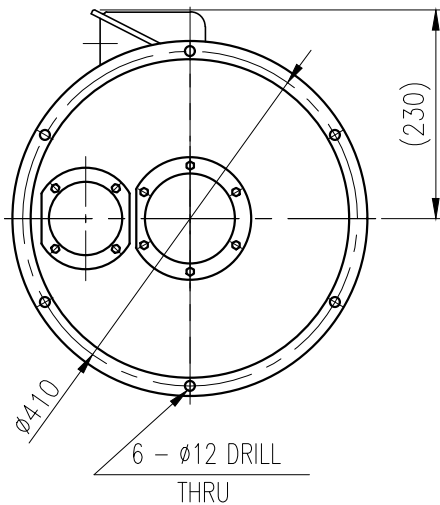
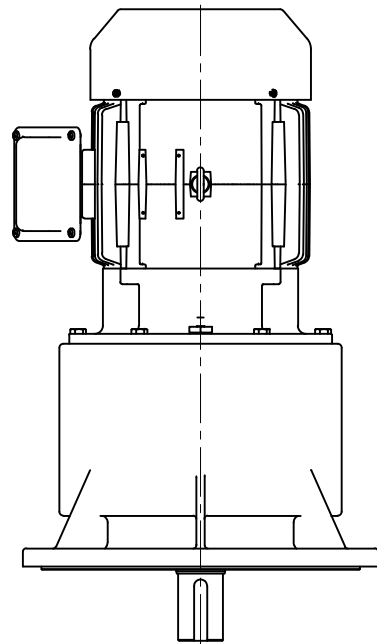
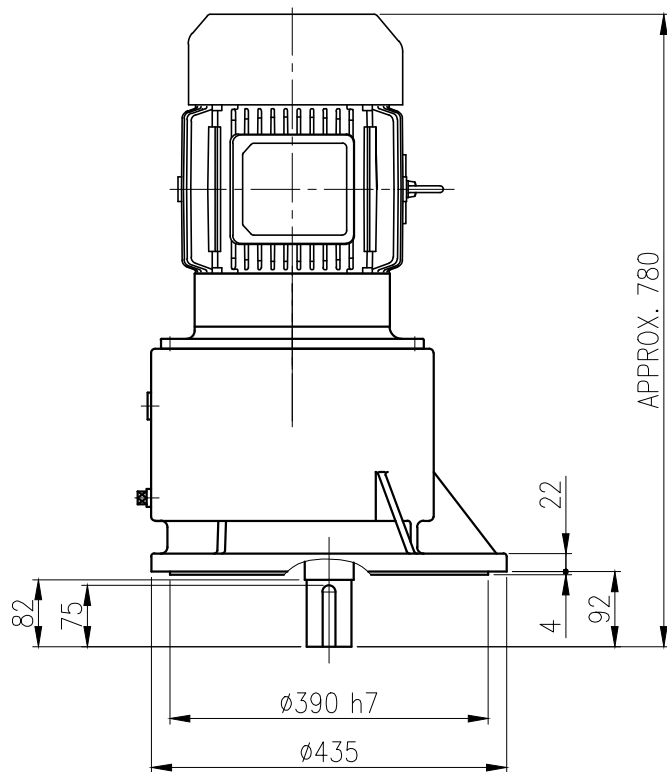


1	2	3	4	5				
No.	NAME	MATERIAL	DWG/MATL No.	CODE	Q'TY	SIZE	WEIGHT	REMARK
					0			



**OUTPUT SHAFT**  
KEY 16 x 10 x 66

			BEARING		
			INPUT SHAFT	6207ZZ 6309ZZ	
	OIL SEAL		2ND PINION	30208 30308	OIL : ISO VG 220
	MOTOR SHAFT	D(M) 45 x 68 x 12	3RD PINION	-	ABOUT 11 l
	OUTPUT SHAFT	D(M) 60 x 82 x 12	OUTPUT SHAFT	30211 30212	WEIGHT 177 kg

		DWG NAME		외형도 OUTLINE DIMENSION			
		DWG No.		<b>EK2DO07188H0001</b>		UNIT	mm
						SCALE	1:1
No.	DATE	DESCRIPTION of REVISION		DESIGNED	CHECKED	REVIEWED	APPROVED
				2018.10.01	2018.10.01	2018.10.01	2018.10.01
				최성민	문병선	박희성	홍원철
						DATE	2018-08-15
						REVISION No.	01
						THIRD ANGLE PROJECTION	
				REF. No.	(EN125)		(A)

**HYOSUNG HEAVY INDUSTRIES**  
 TYPE FVB\_132M(7.5kW)\_25~30:1\_N type

이 도면상에 표시된 정보는 호성중공업(주)의 소유이며 당사의 사전 서면동의 없이 무단사용을 금합니다.