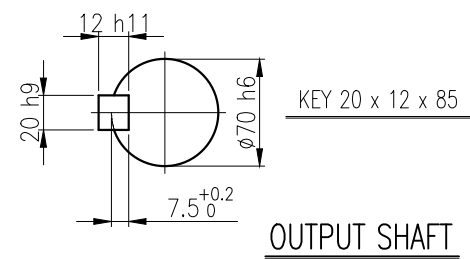
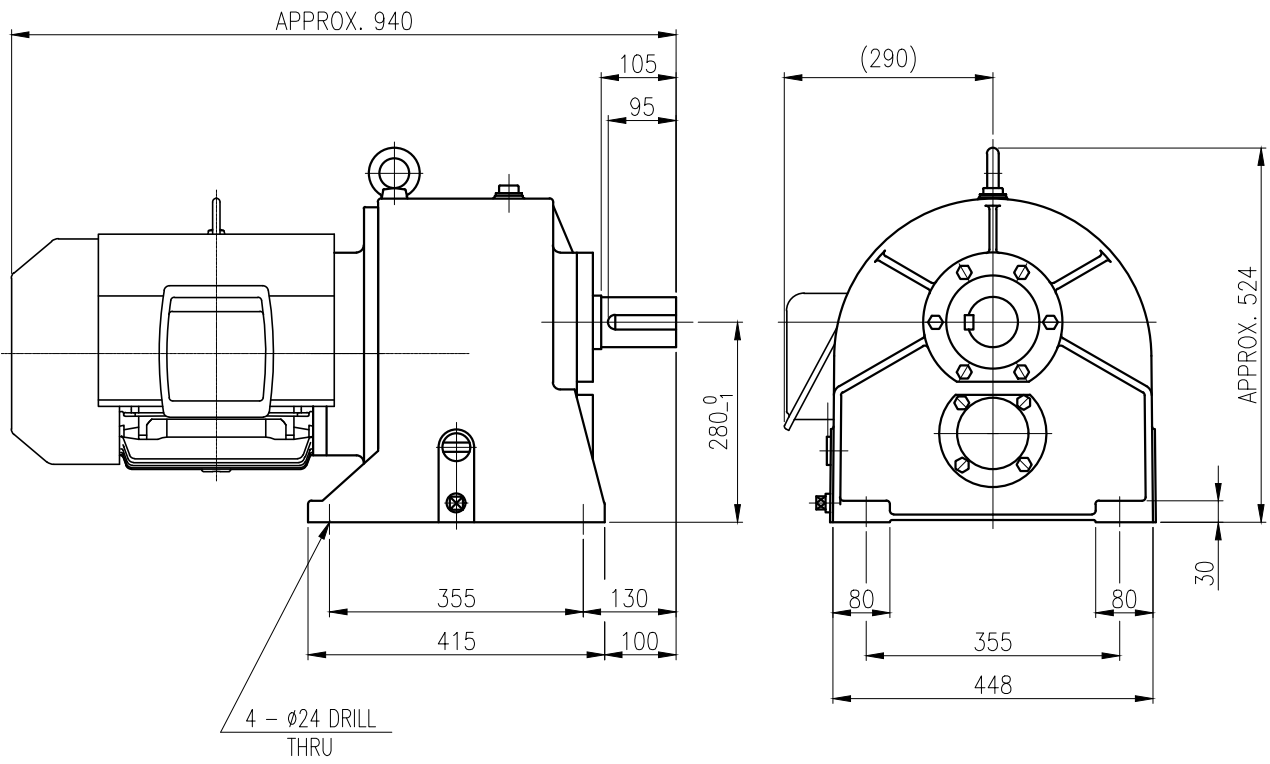


1	2	3	4	5				
No.	NAME	MATERIAL	DWG/MATL No.	CODE	Q'TY	SIZE	WEIGHT	REMARK
					0			



		BEARING				
		INPUT SHAFT	6309ZZ	6311ZZ		
OIL SEAL		2ND PINION	30209	30309	OIL : ISO VG 220	
MOTOR SHAFT	D(M) 55 x 78 x 12	3RD PINION	-	-	ABOUT 10 l	
OUTPUT SHAFT	D(M) 75 x 100 x 13	OUTPUT SHAFT	30213	32215	WEIGHT	302 kg

		외형도 OUTLINE DIMENSION					
		DWG No. EK2DO07184W0001				UNIT	mm
						SCALE	1:1
No.	DATE	DESIGNER		DESIGNED	CHECKED	REVIEWED	APPROVED
				2018.10.01	2018.10.01	2018.10.01	2018.10.01
				최성민	문병선	박희성	홍원철
		DESCRIPTION of REVISION		DATE		2018-08-15	
				REVISION No.		01	
				THIRD ANGLE PROJECTION			
		TYPE		REF. No.		(EN104)	
		FHB_160L(15kW)_25~30:1_N type				(A)	

이 도면상에 표시된 정보는 호성중공업(주)의 소유이며 당사의 사전 서면동의 없이 무단사용을 금합니다.