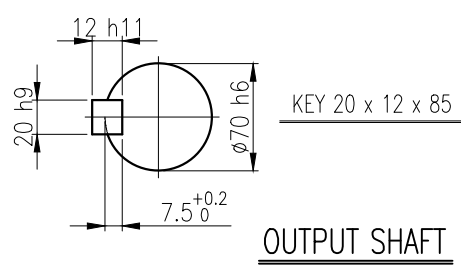
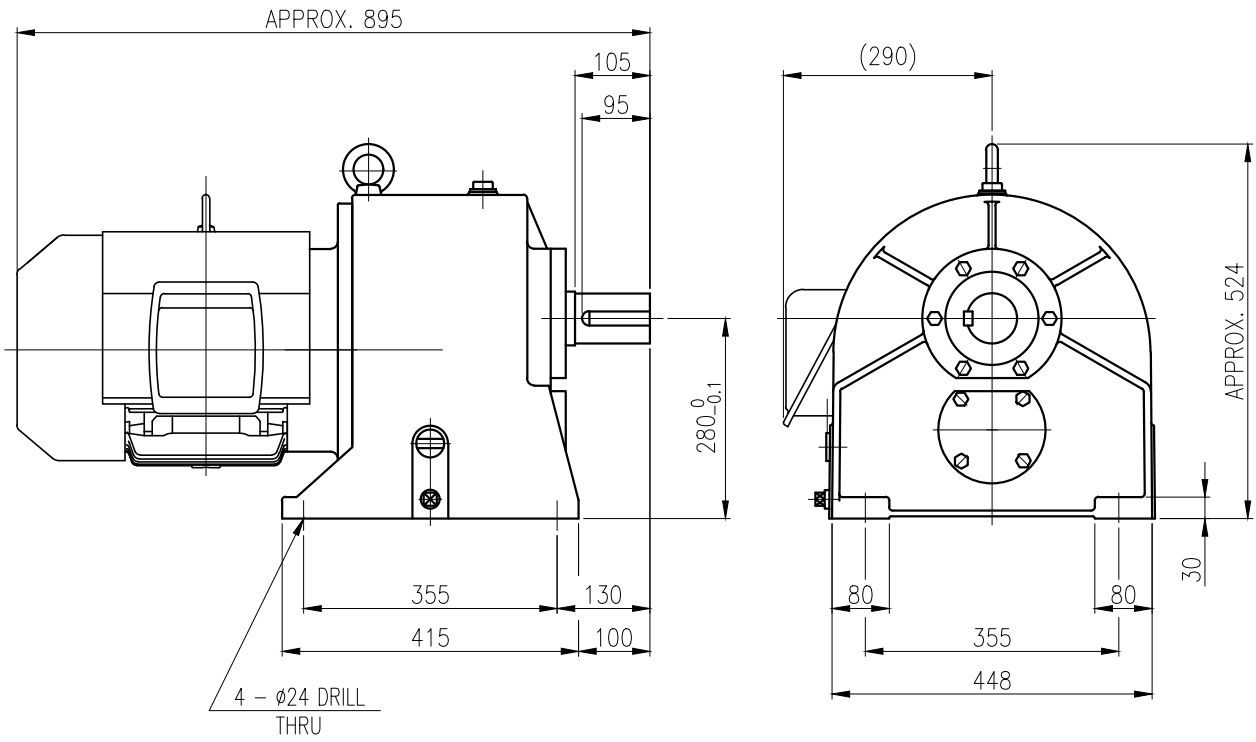


1	2		3		4		5	
No.	NAME	MATERIAL	DWG/MATL No.	CODE	Q'TY	SIZE	WEIGHT	REMARK
					0			



		BEARING			
		INPUT SHAFT	6309ZZ	6311ZZ	
OIL SEAL		2ND PINION	30209	30309	OIL : ISO VG 220
MOTOR SHAFT	D(M) 55 x 78 x 12	3RD PINION	-	-	ABOUT 10 l
OUTPUT SHAFT	D(M) 75 x 100 x 13	OUTPUT SHAFT	30213	32215	WEIGHT 296 kg

		DWG NAME 외형도 OUTLINE DIMENSION			
		DWG No. EK2DO07182W0001		UNIT mm	
				SCALE 1:1	
No.	DATE	DESIGNER		DESIGNED	CHECKED
DESCRIPTION of REVISION				REVIEWED	APPROVED
				DATE	2018-08-15
				REVISION No.	01
				THIRD ANGLE PROJECTION	
TYPE FHB_160M(11kW)_25~30:1_N type		REF. No.		(EN102)	



A4(210X297mm)
FORM
CE-14-0100-444
2013.11.20

이 도면상에 표시된 정보는 호성중공업(주)의 소유이며 당사의 사전 서면동의 없이 무단사용을 금합니다.