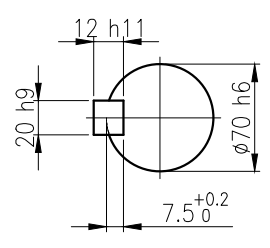
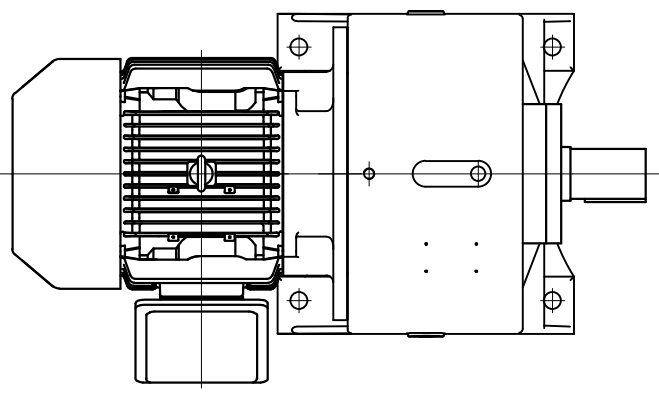
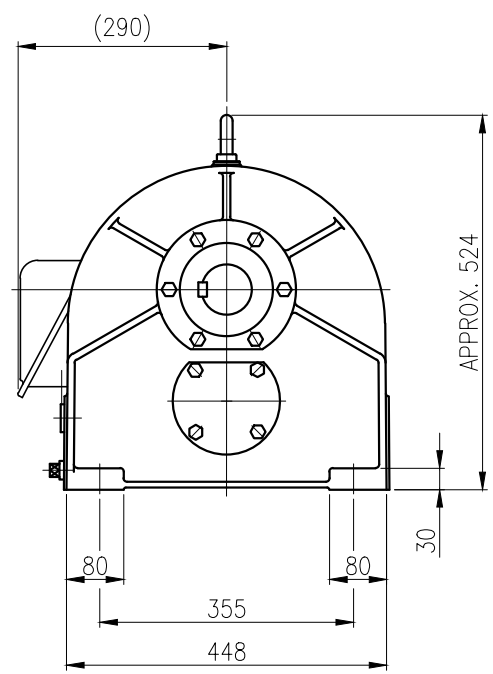
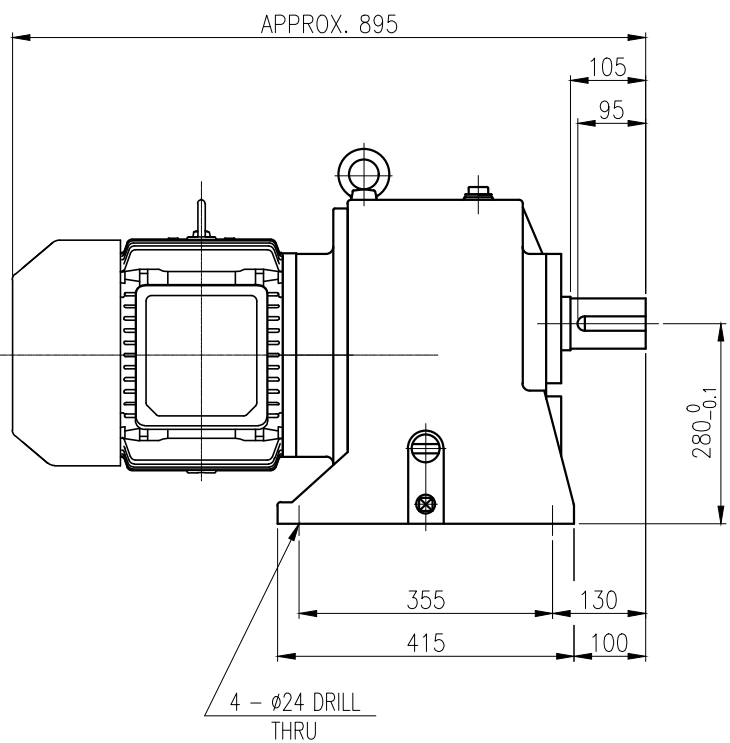


1	2	3	4	5				
No.	NAME	MATERIAL	DWG/MATL No.	CODE	Q'TY	SIZE	WEIGHT	REMARK
					0			



OUTPUT SHAFT
KEY 20 x 12 x 85



		BEARING			
		INPUT SHAFT	6309ZZ	6311ZZ	
OIL SEAL		2ND PINION	30209	30309	OIL : ISO VG 220
MOTOR SHAFT	D(M) 55 x 78 x 12	3RD PINION	-	-	ABOUT 10 l
OUTPUT SHAFT	D(M) 75 x 100 x 13	OUTPUT SHAFT	30213	32215	WEIGHT 296 kg

		DWG NAME 외형도 OUTLINE DIMENSION							
		DWG No. EK2DO07182H0001		UNIT mm					
				SCALE 1:1					
No.	DATE	DESCRIPTION of REVISION		DESIGNED	CHECKED	REVIEWED	APPROVED	DATE	2018-08-15
A4(210x297mm)	FORM CE-14-0100-444 2013.11.20			2018.10.01 최성민	2018.10.01 문병선	2018.10.01 박희성	2018.10.01 홍원철	REVISION No.	01
TYPE				FHB_160M(11kW)_25~30:1_N type		THIRD ANGLE PROJECTION			
		REF. No.	(EN102)			(A)			

The information written in this drawing is HYOSUNG HEAVY INDUSTRIES's property, and may not be disclosed and/or reproduced without the prior official permission of HYOSUNG HEAVY INDUSTRIES Corp.

이 도면상에 표시된 정보는 호성중공업(주)의 소유이며 당사의 사전 서면동의 없이 무단사용을 금합니다.