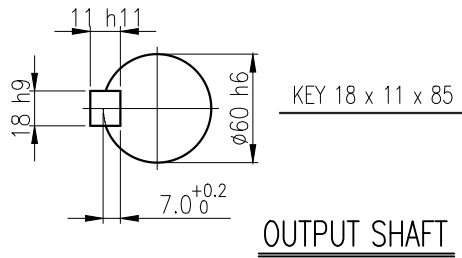
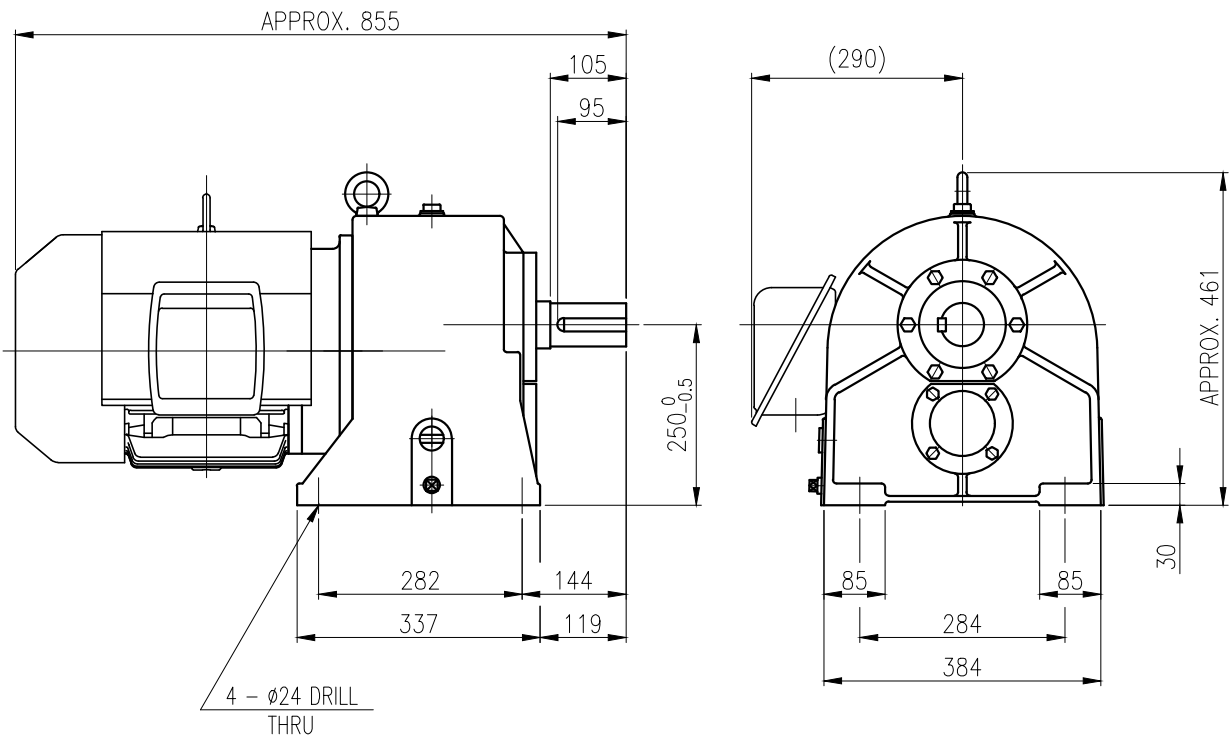


1	2	3	4	5				
No.	NAME	MATERIAL	DWG/MATL No.	CODE	Q'TY	SIZE	WEIGHT	REMARK
					0			



		BEARING		
		INPUT SHAFT	6309ZZ 6310ZZ	
OIL SEAL		2ND PINION	30208 30308	OIL : ISO VG 220
MOTOR SHAFT	D(M) 50 x 72 x 12	3RD PINION	- -	ABOUT 9 l
OUTPUT SHAFT	D(M) 65 x 95 x 13	OUTPUT SHAFT	30212 30213	WEIGHT 224 kg

DWG NAME		외형도 OUTLINE DIMENSION			
DWG No.		EK2DO07181W0001		UNIT	mm
				SCALE	1:1
No.	DATE	DESIGNED	CHECKED	REVIEWED	APPROVED
		2018.10.01	2018.10.01	2018.10.01	2018.10.01
		최성민	문병선	박희성	홍원철
DESCRIPTION of REVISION		DATE	2018-08-15		
		REVISION No.	01		
		THIRD ANGLE PROJECTION			
TYPE		REF. No.	(EN101)		
					A

HYOSUNG HEAVY INDUSTRIES
 TYPE FHB_160M(11kW)_5~20:1_N type

이 도면상에 표시된 정보는 호성중공업(주)의 소유이며 당사의 사전 서면동의 없이 무단사용을 금합니다.