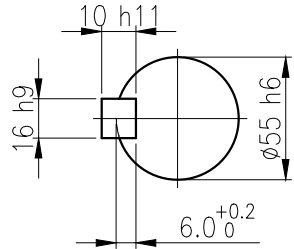
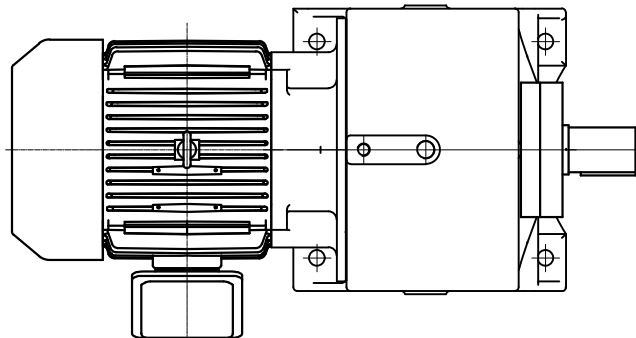
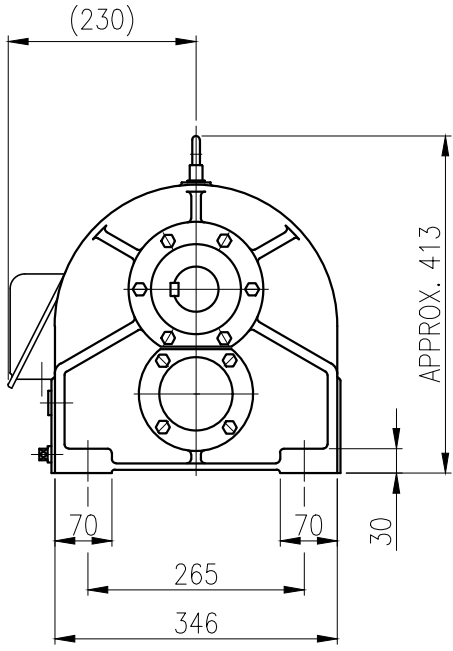
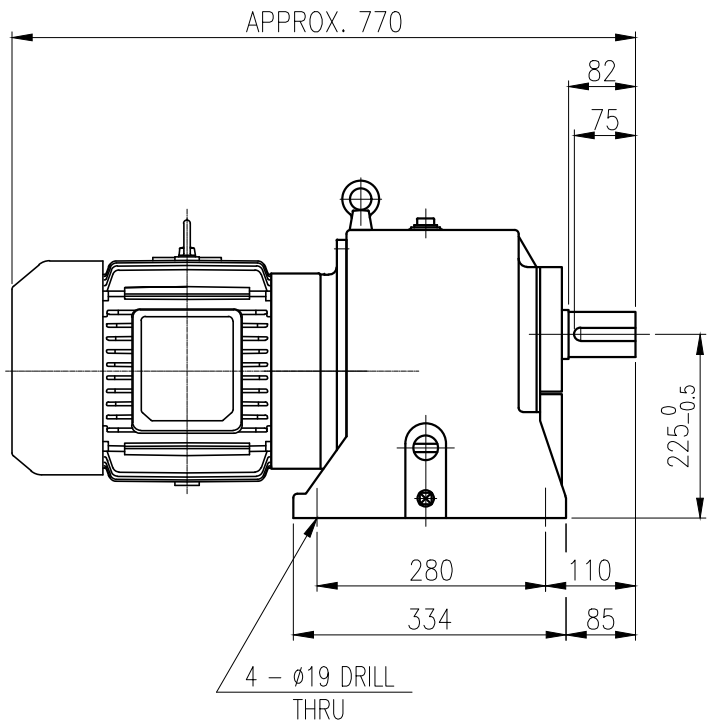


1	2	3	4	5				
No.	NAME	MATERIAL	DWG/MATL No.	CODE	Q'TY	SIZE	WEIGHT	REMARK
					0			



**OUTPUT SHAFT**

KEY 16 x 10 x 66



		BEARING			
		INPUT SHAFT	6207ZZ	6309ZZ	
OIL SEAL		2ND PINION	30208	30308	OIL : ISO VG 220
MOTOR SHAFT	D(M) 45 x 68 x 12	3RD PINION	-	-	ABOUT 7 l
OUTPUT SHAFT	D(M) 60 x 82 x 12	OUTPUT SHAFT	30211	30212	WEIGHT 162 kg

		외형도 OUTLINE DIMENSION				DWG NAME	
		E				DWG No. <b>EK2DO07180H0001</b>	
		F				UNIT	mm
						SCALE	1:1
No.	DATE	DESCRIPTION of REVISION		DESIGNED	CHECKED	REVIEWED	APPROVED
A4(210X297mm)	FORM CE-14-0100-444 2013.11.20			2018.10.01	2018.10.01	2018.10.01	2018.10.01
TYPE				최성민	문병선	박희성	홍원철
		FHB_132M(7.5kW)_25~30:1_N type		REF. No.	(EN100)		REVISION No. 01
						THIRD ANGLE PROJECTION	
						A	

The information written in this drawing is HYOSUNG HEAVY INDUSTRIES's property, and may not be disclosed and/or reproduced without the prior official permission of HYOSUNG HEAVY INDUSTRIES Corp.

이 도면상에 표시된 정보는 호성중공업(주)의 소유이며 당사의 사전 서면동의 없이 무단사용을 금합니다.