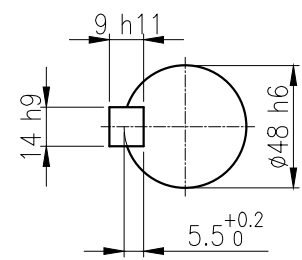
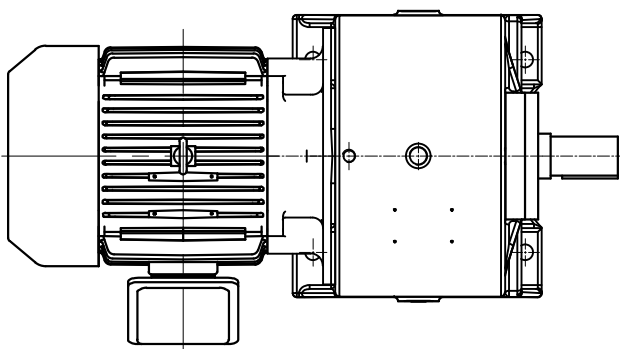
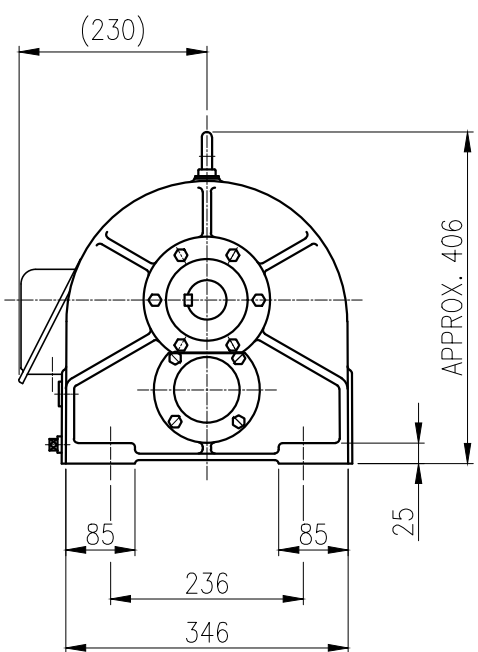
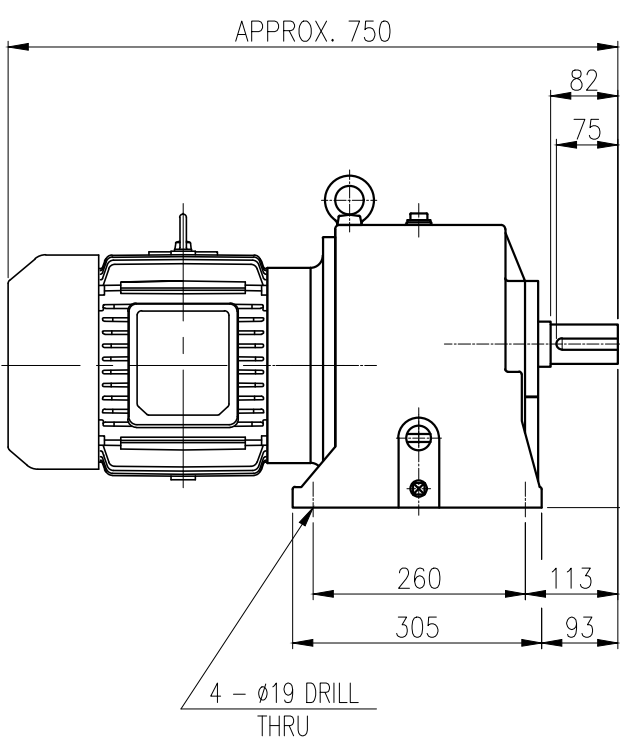


1	2	3	4	5				
No.	NAME	MATERIAL	DWG/MATL No.	CODE	Q'TY	SIZE	WEIGHT	REMARK
					0			



OUTPUT SHAFT
KEY 14 x 9 x 68



		BEARING			
		INPUT SHAFT	6207ZZ	6308ZZ	
OIL SEAL		2ND PINION	30207	30307	OIL : ISO VG 220
MOTOR SHAFT	D(M) 40 x 62 x 11	3RD PINION	-	-	ABOUT 5 l
OUTPUT SHAFT	D(M) 55 x 78 x 12	OUTPUT SHAFT	30209	30211	WEIGHT 152 kg

		외형도 OUTLINE DIMENSION				DWG NAME	
		EYK2D007179H0001				UNIT	mm
						SCALE	1:1
No.	DATE	DESIGNER		DESIGNED	CHECKED	REVIEWED	APPROVED
		DESCRIPTION of REVISION		2018.10.01	2018.10.01	2018.10.01	2018.10.01
		HYOSUNG HEAVY INDUSTRIES		최성민	문병선	박희성	홍원철
		TYPE FHB_132M(7.5kW)_5~20:1_N type		DATE	2018-08-15		REVISION No. 01
				THIRD ANGLE PROJECTION			
				REF. No.	(EN099)		(A)

The information written in this drawing is HYOSUNG HEAVY INDUSTRIES's property, and may not be disclosed and/or reproduced without the prior official permission of HYOSUNG HEAVY INDUSTRIES Corp.

이 도면상에 표시된 정보는 호성중공업(주)의 소유이며 당사의 사전 서면동의 없이 무단사용을 금합니다.