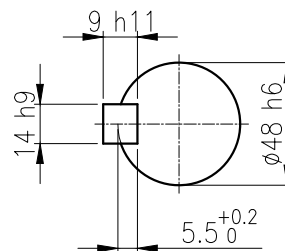
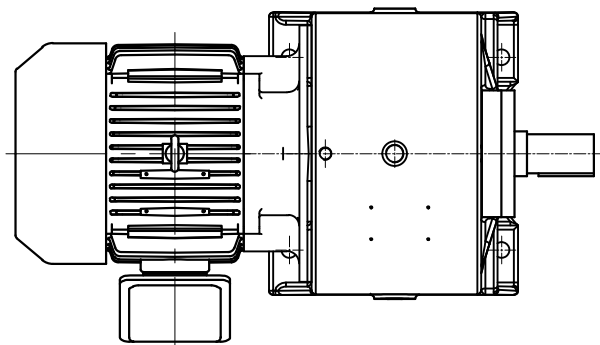
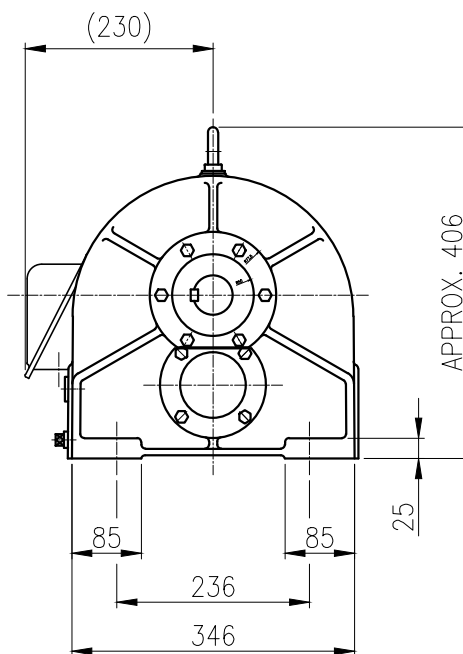
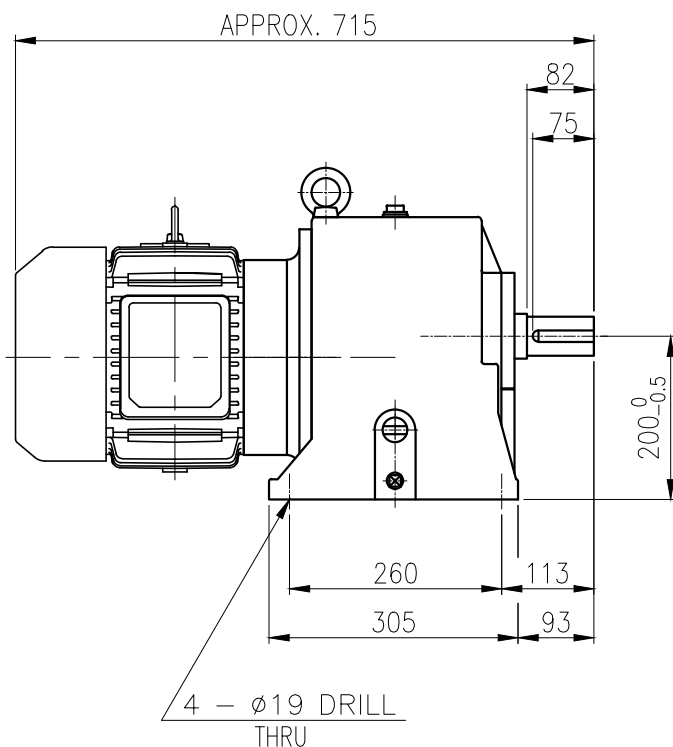


1	2	3	4	5				
No.	NAME	MATERIAL	DWG/MATL No.	CODE	Q'TY	SIZE	WEIGHT	REMARK
					0			



OUTPUT SHAFT

KEY 14 x 9 x 68



		BEARING			
		INPUT SHAFT	6207ZZ	6308ZZ	
OIL SEAL		2ND PINION	30207	30307	OIL : ISO VG 220
MOTOR SHAFT	D(M) 40 x 62 x 11	3RD PINION	-	-	ABOUT 5 l
OUTPUT SHAFT	D(M) 55 x 78 x 12	OUTPUT SHAFT	30209	30211	WEIGHT 147 kg

		DWG NAME 외형도 OUTLINE DIMENSION			
		DWG No. EK2DO07177H0001		UNIT	mm
				SCALE	1:1
No.	DATE	DESIGNED	CHECKED	REVIEWED	APPROVED
		2018.10.01	2018.10.01	2018.10.01	2018.10.01
		최성민	문병선	박희성	홍원철
DESCRIPTION of REVISION		DATE	2018-08-15		
		REVISION No.	01		
		THIRD ANGLE PROJECTION			
TYPE FHB_132S(5.5kW)_5~20:1_N type		REF. No.	(EN097)		(A)

The information written in this drawing is HYOSUNG HEAVY INDUSTRIES's property, and may not be disclosed and/or reproduced without the prior official permission of HYOSUNG HEAVY INDUSTRIES Corp.

이 도면상에 표시된 정보는 호성중공업(주)의 소유이며 당사의 사전 서면동의 없이 무단사용을 금합니다.