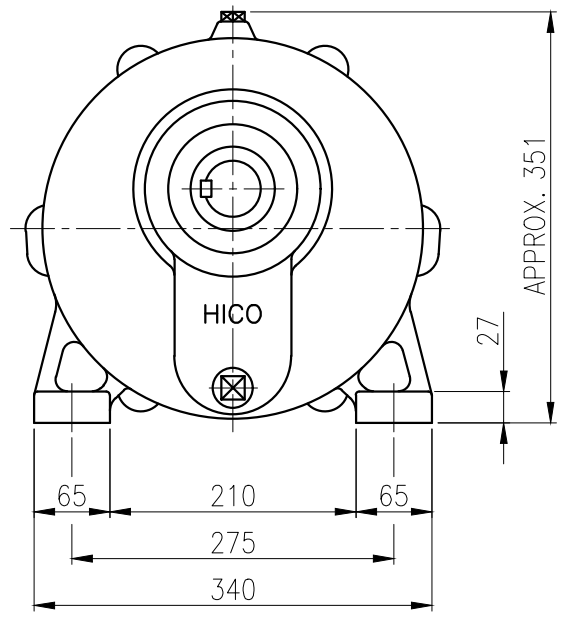
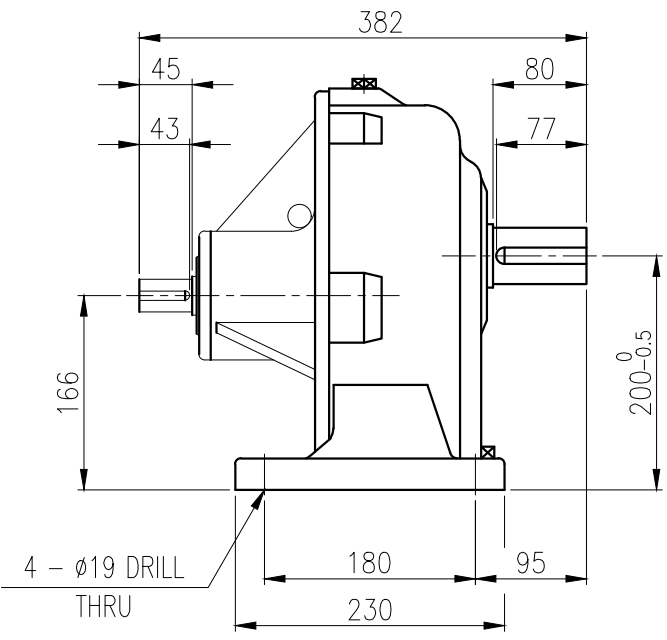
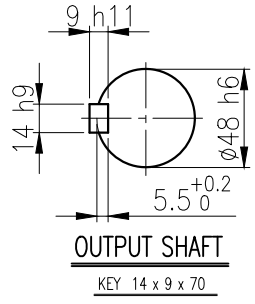
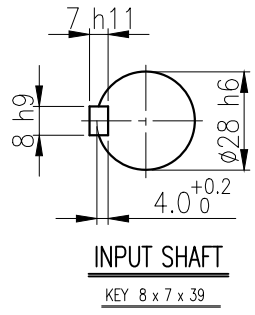
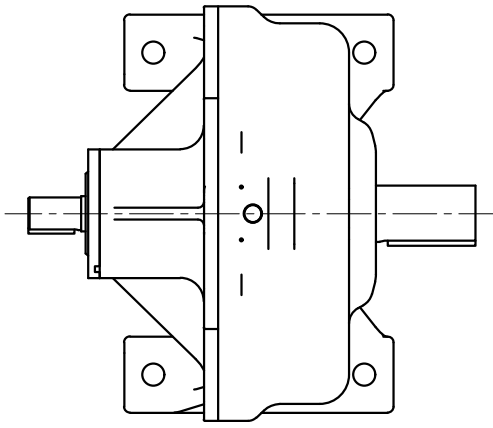


1	2	3	4	5				
No.	NAME	MATERIAL	DWG/MATL No.	CODE	Q'TY	SIZE	WEIGHT	REMARK
					0			



	BEARING		
	INPUT SHAFT	#6306ZZ #6306ZZ	
OIL SEAL	2ND PINION	#6306ZZ #6306ZZ	GREASE : NLGI(EP)00
MOTOR SHAFT D(M) 30x42x8	3RD PINION	- -	ABOUT 0.8 kg
OUTPUT SHAFT D(M) 50x72x12	OUTPUT SHAFT	#6210ZZ #PM4020	WEIGHT 56 kg

		외형도 OUTLINE DIMENSION							
		DWG No. EK2DO07176H0001		UNIT	mm				
				SCALE	1:1				
No.	DATE	DESCRIPTION of REVISION		DESIGNED	CHECKED	REVIEWED	APPROVED	DATE	2018-08-15
A4(210x297mm)	FORM CE-14-0100-444 2013.11.20			2018.10.01	2018.10.01	2018.10.01	2018.10.01	REVISION No.	01
TYPE				FCB_112Fr(3.7kW)_30:1_N type		최성민	문병선	박희성	홍원철
		REF. No.	(EN027)					A	

The information written in this drawing is HYOSUNG HEAVY INDUSTRIES's property, and may not be disclosed and/or reproduced without the prior official permission of HYOSUNG HEAVY INDUSTRIES Corp.

이 도면상에 표시된 정보는 호성중공업(주)의 소유이며 당사의 사전 서면동의 없이 무단사용을 금합니다.