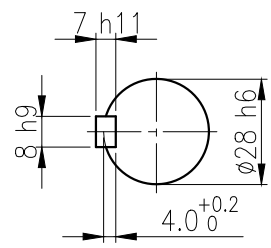
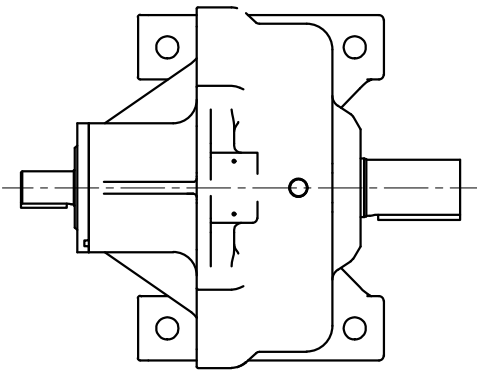
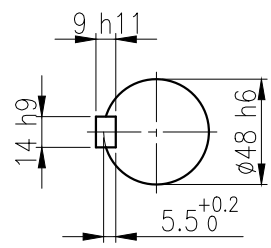


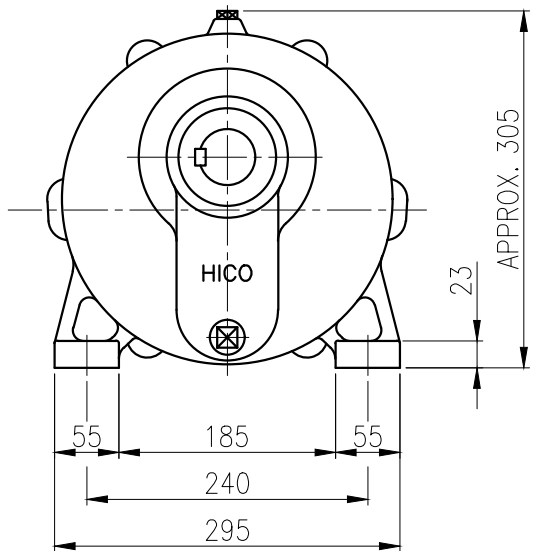
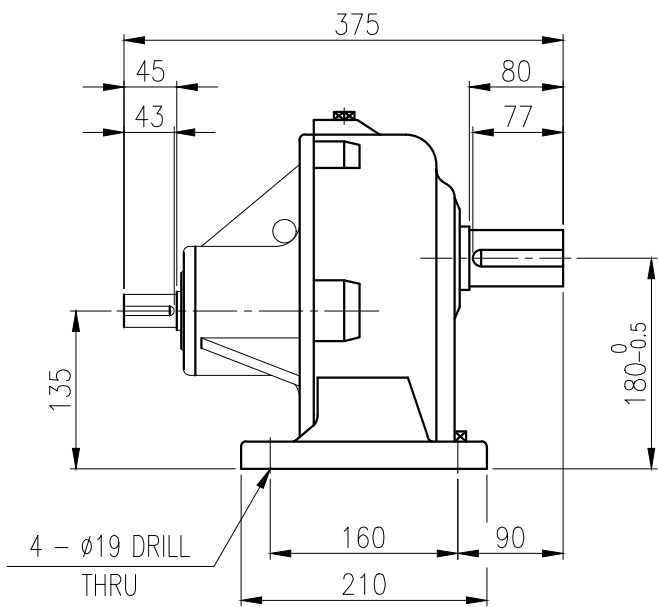
1	2	3	4	5				
No.	NAME	MATERIAL	DWG/MATL No.	CODE	Q'TY	SIZE	WEIGHT	REMARK
					0			



INPUT SHAFT
KEY 8 x 7 x 39



OUTPUT SHAFT
KEY 14 x 9 x 70



		BEARING		
		INPUT SHAFT	#6306ZZ #6306ZZ	
	OIL SEAL	2ND PINION	#6306ZZ #6305ZZ	GREASE : NLGI(EP)00
	MOTOR SHAFT D(M) 30x42x8	3RD PINION	- -	ABOUT 0.6 kg
	OUTPUT SHAFT D(M) 50x72x12	OUTPUT SHAFT	#6210ZZ #PM4020	WEIGHT 49kg

		외형도 OUTLINE DIMENSION				DWG NAME	
		DWG No. EK2DO07175H0001				UNIT	mm
		SCALE				1:1	
No.	DATE	DESIGNER		CHECKED	REVIEWED	APPROVED	DATE
		최성민		문병선	박희성	홍원철	2018-08-15
FORM		DESCRIPTION of REVISION		DESIGNED	CHECKED	REVIEWED	APPROVED
A4(210x297mm)		HYOSUNG HEAVY INDUSTRIES		2018.10.01	2018.10.01	2018.10.01	2018.10.01
CE-14-0100-444		TYPE		REF. No.		THIRD ANGLE PROJECTION	
2013.11.20		FCB_112Fr(3.7kW)_5~20:1_N type		(EN026)		01	
						A	

이 도면상에 표시된 정보는 호성중공업(주)의 소유이며 당사의 사전 서면동의 없이 무단사용을 금합니다.