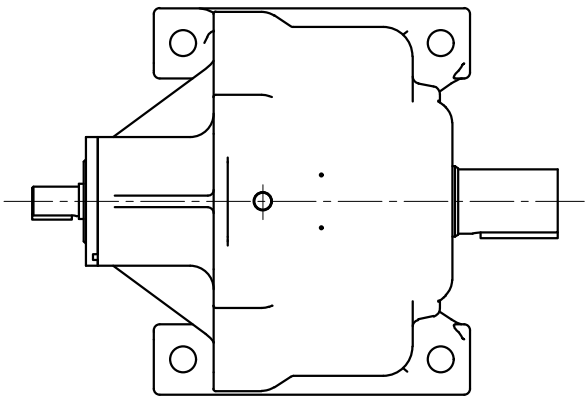
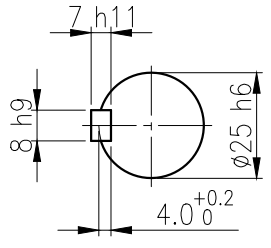
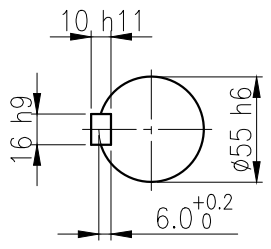
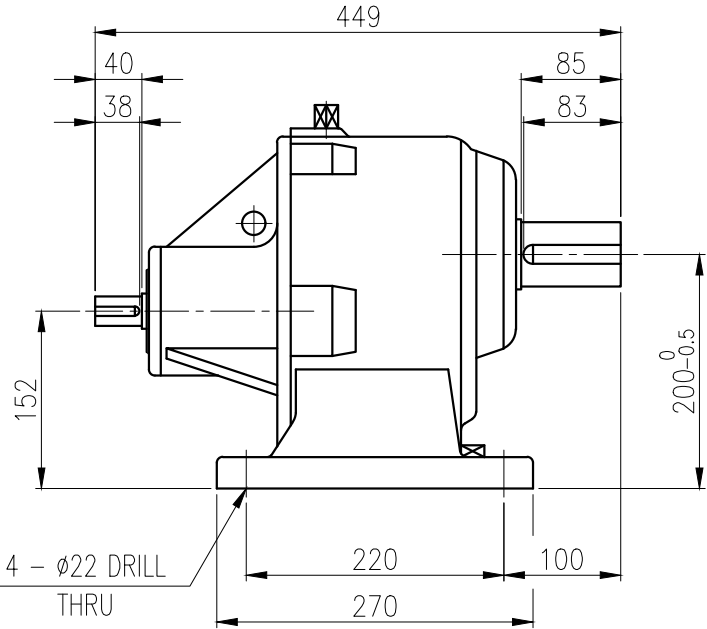
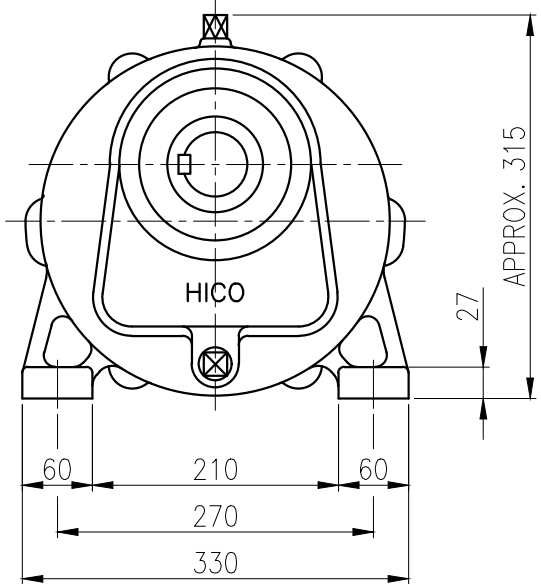


1	2		3		4		5																		
No.	NAME	MATERIAL	DWG/MATL No.	CODE	Q'TY	SIZE	WEIGHT	REMARK																	
					0																				
A																									
B																									
C																									
D																									
E			<table border="1"> <thead> <tr> <th colspan="2">BEARING</th> </tr> </thead> <tbody> <tr> <td>INPUT SHAFT</td> <td>#6306ZZ #6306ZZ</td> </tr> <tr> <td>2ND PINION</td> <td>#6304ZZ #6305ZZ</td> </tr> <tr> <td>3RD PINION</td> <td>#6306ZZ #5305ZZ</td> </tr> <tr> <td>OUTPUT SHAFT</td> <td>#6312ZZ #PM2015</td> </tr> </tbody> </table>		BEARING		INPUT SHAFT	#6306ZZ #6306ZZ	2ND PINION	#6304ZZ #6305ZZ	3RD PINION	#6306ZZ #5305ZZ	OUTPUT SHAFT	#6312ZZ #PM2015	<table border="1"> <tbody> <tr> <td>OIL SEAL</td> <td>GREASE : NLGI(EP)00</td> </tr> <tr> <td>MOTOR SHAFT D(M) 30x42x8</td> <td>ABOUT 1.8 kg</td> </tr> <tr> <td>OUTPUT SHAFT D(M) 60x82x12</td> <td>WEIGHT 61 kg</td> </tr> </tbody> </table>		OIL SEAL	GREASE : NLGI(EP)00	MOTOR SHAFT D(M) 30x42x8	ABOUT 1.8 kg	OUTPUT SHAFT D(M) 60x82x12	WEIGHT 61 kg			
BEARING																									
INPUT SHAFT	#6306ZZ #6306ZZ																								
2ND PINION	#6304ZZ #6305ZZ																								
3RD PINION	#6306ZZ #5305ZZ																								
OUTPUT SHAFT	#6312ZZ #PM2015																								
OIL SEAL	GREASE : NLGI(EP)00																								
MOTOR SHAFT D(M) 30x42x8	ABOUT 1.8 kg																								
OUTPUT SHAFT D(M) 60x82x12	WEIGHT 61 kg																								
F			<table border="1"> <thead> <tr> <th colspan="2">DWG NAME</th> </tr> </thead> <tbody> <tr> <td colspan="2">외형도 OUTLINE DIMENSION</td> </tr> <tr> <td>DWG No.</td> <td>EK2DO07174H0001</td> </tr> <tr> <td>UNIT</td> <td>mm</td> </tr> <tr> <td>SCALE</td> <td>1:1</td> </tr> </tbody> </table>		DWG NAME		외형도 OUTLINE DIMENSION		DWG No.	EK2DO07174H0001	UNIT	mm	SCALE	1:1											
DWG NAME																									
외형도 OUTLINE DIMENSION																									
DWG No.	EK2DO07174H0001																								
UNIT	mm																								
SCALE	1:1																								
<table border="1"> <thead> <tr> <th>No.</th> <th>DATE</th> <th>DESCRIPTION of REVISION</th> </tr> </thead> <tbody> <tr> <td></td> <td></td> <td></td> </tr> </tbody> </table>		No.	DATE	DESCRIPTION of REVISION				<table border="1"> <thead> <tr> <th>DESIGNED</th> <th>CHECKED</th> <th>REVIEWED</th> <th>APPROVED</th> <th>DATE</th> </tr> </thead> <tbody> <tr> <td>2018.10.01 최성민</td> <td>2018.10.01 문병선</td> <td>2018.10.01 박희성</td> <td>2018.10.01 홍원철</td> <td>2018-08-15</td> </tr> </tbody> </table>		DESIGNED	CHECKED	REVIEWED	APPROVED	DATE	2018.10.01 최성민	2018.10.01 문병선	2018.10.01 박희성	2018.10.01 홍원철	2018-08-15	<table border="1"> <tbody> <tr> <td>REVISION No.</td> <td>01</td> </tr> <tr> <td colspan="2">THIRD ANGLE PROJECTION</td> </tr> </tbody> </table>		REVISION No.	01	THIRD ANGLE PROJECTION	
No.	DATE	DESCRIPTION of REVISION																							
DESIGNED	CHECKED	REVIEWED	APPROVED	DATE																					
2018.10.01 최성민	2018.10.01 문병선	2018.10.01 박희성	2018.10.01 홍원철	2018-08-15																					
REVISION No.	01																								
THIRD ANGLE PROJECTION																									
<table border="1"> <tbody> <tr> <td>FORM</td> <td>A4(210X297mm)</td> </tr> <tr> <td>CE-14-0100-444</td> <td>2013.11.20</td> </tr> </tbody> </table>		FORM	A4(210X297mm)	CE-14-0100-444	2013.11.20	<table border="1"> <tbody> <tr> <td>TYPE</td> <td>FCC_100Fr(2.2kW)_75~90:1_N type</td> </tr> <tr> <td>REF. No.</td> <td>(EN033)</td> </tr> </tbody> </table>		TYPE	FCC_100Fr(2.2kW)_75~90:1_N type	REF. No.	(EN033)	<table border="1"> <tbody> <tr> <td>(A)</td> </tr> </tbody> </table>		(A)											
FORM	A4(210X297mm)																								
CE-14-0100-444	2013.11.20																								
TYPE	FCC_100Fr(2.2kW)_75~90:1_N type																								
REF. No.	(EN033)																								
(A)																									

이 도면상에 표시된 정보는 호성중공업(주)의 소유이며 당사의 사전 서면동의 없이 무단사용을 금합니다.