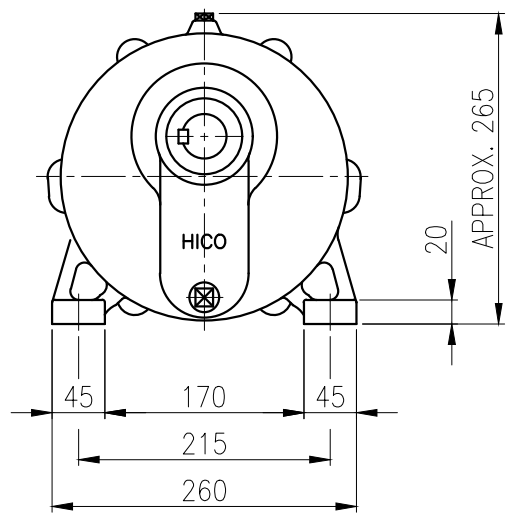
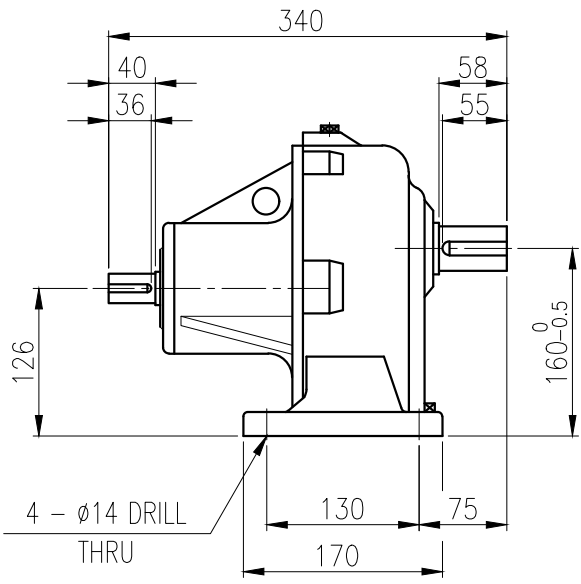
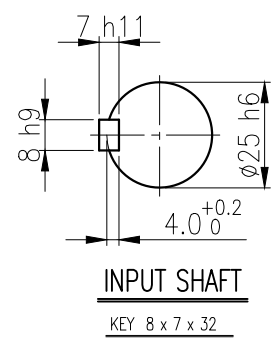
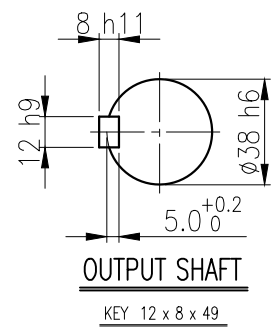
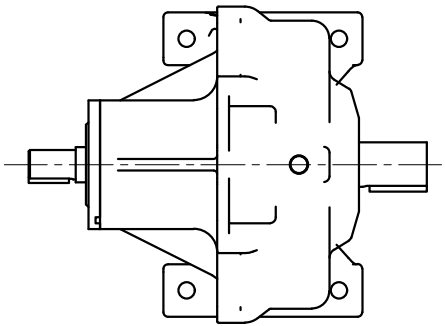


1	2	3	4	5				
No.	NAME	MATERIAL	DWG/MATL No.	CODE	Q'TY	SIZE	WEIGHT	REMARK
					0			



		BEARING		
		INPUT SHAFT	#6306ZZ #6306ZZ	
	OIL SEAL	2ND PINION	#6304ZZ #6305ZZ	GREASE : NLGI(EP)00
	MOTOR SHAFT D(M) 30x42x8	3RD PINION	-	ABOUT 0.3 kg
	OUTPUT SHAFT D(M) 45x68x12	OUTPUT SHAFT	#6209ZZ #PM3020	WEIGHT 35 kg

		외형도 OUTLINE DIMENSION				DWG NAME	
		EY2DO07172H0001				UNIT	mm
						SCALE	1:1
No.	DATE	DESCRIPTION of REVISION		DESIGNED	CHECKED	REVIEWED	APPROVED
A4(210X297mm)	FORM CE-14-0100-444 2013.11.20	HYOSUNG HEAVY INDUSTRIES		2018.10.01 최성민	2018.10.01 문병선	2018.10.01 박희성	2018.10.01 홍원철
TYPE		FCC_100Fr(2.2kW)_5~30:1_N type		DATE	2018-08-15		REVISION No.
				REF. No.	(EN025)		01
				THIRD ANGLE PROJECTION			(A)

The information written in this drawing is HYOSUNG HEAVY INDUSTRIES's property, and may not be disclosed and/or reproduced without the prior official permission of HYOSUNG HEAVY INDUSTRIES Corp.

이 도면상에 표시된 정보는 호성중공업(주)의 소유이며 당사의 사전 서면동의 없이 무단사용을 금합니다.